

Barudan

HIGH SPEED AUTOMATIC EMBROIDERY MACHINE

MODEL **BEMR-YN**
BEMS-YN
BEMX-YN

PARTS LIST

BARUDAN CO., LTD.

ADDRESS 906 JOSUIJI
ICHINOMIYA-CITY · AICHI-PREF ·
JAPAN
TEL. <0586>76-1137
FAX. <0586>77-1499
TELEX 4573268 BARUNA J
CABLE BARUNA ICHINOMIYA

BEMR-YN • BEMS-YN
BEMX-YN

HIGH SPEED AUTOMATIC EMBROIDERY
MACHINE PARTS LIST

CONTENTS

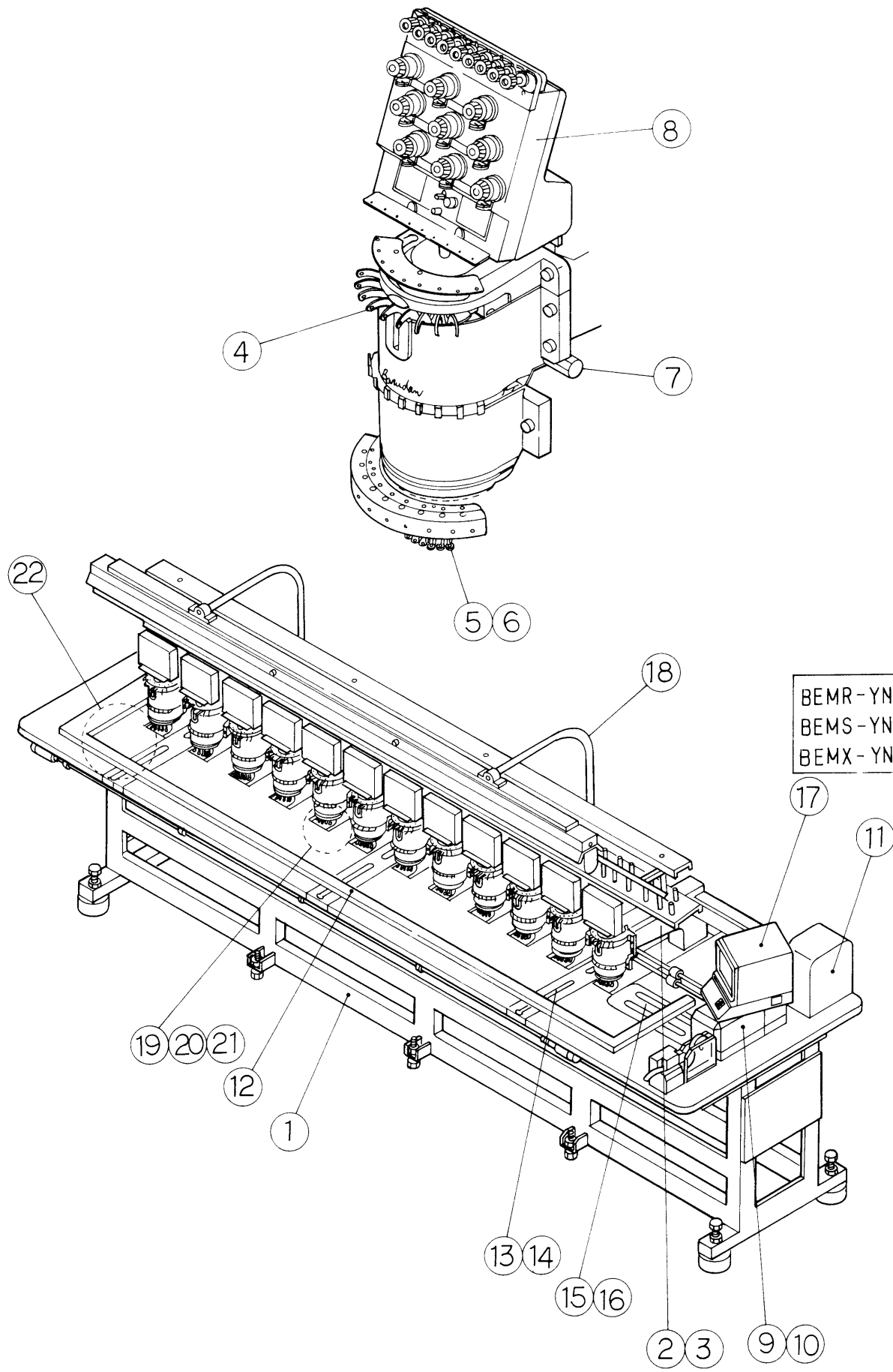
ITEM No.	Page No.
Machine layout (BEMR-YN BEMS-YN BEMX-YN)	1
① Table • Frame	2
② Sewing head a' ssy I	4
③ Sewing head a' ssy II	6
④ Take up lever mechanism	8
⑤ Needle bar mechanism I	1 0
⑥ Needle bar mechanism II	1 2
⑦ Jump mechanism	1 4
⑧ Thread guide mechanism	1 6
⑨ Color change mechanism I	1 8
⑩ Color change mechanism II	2 0
⑪ Drive mechanism	2 2
⑫ Pantograph drive mechanism I (V • H-Direction).....	2 4
⑬ Pantograph drive mechanism II (H-Direction • Front)	2 6
⑭ Pantograph drive mechanism III (H-Direction • Drive)	2 8
⑮ Pantograph drive mechanism IV (V-Direction • Drive)	3 0
⑯ Pantograph drive mechanism V (V-Direction • Rail base relation)	3 2
⑰ Control system < B E M R - Y N >	3 4
⑰ Control system < B E M S - Y N >	3 6
⑰ Control system < B E M X - Y N >	3 8
⑱ Option	4 0
⑲ Automatic thread cutting mechanism I (Thread cutting section)	4 2
⑳ Automatic thread cutting mechanism II (Thread away section)	4 4
㉑ Automatic thread cutting mechanism III (Thread support section)	4 6
㉒ Automatic thread cutting mechanism IV (Thread cutting drive section)	4 8
㉓ Thread guide mechanism (Lower thread sensorium)	5 0
INDEX	5 2

From the library of: Diamond Needle Corp

Please specify, in the following manner, your machine model, manufacturing number and embroidery space when you order us with the parts having ※ at the end of the part No.:

Barudan

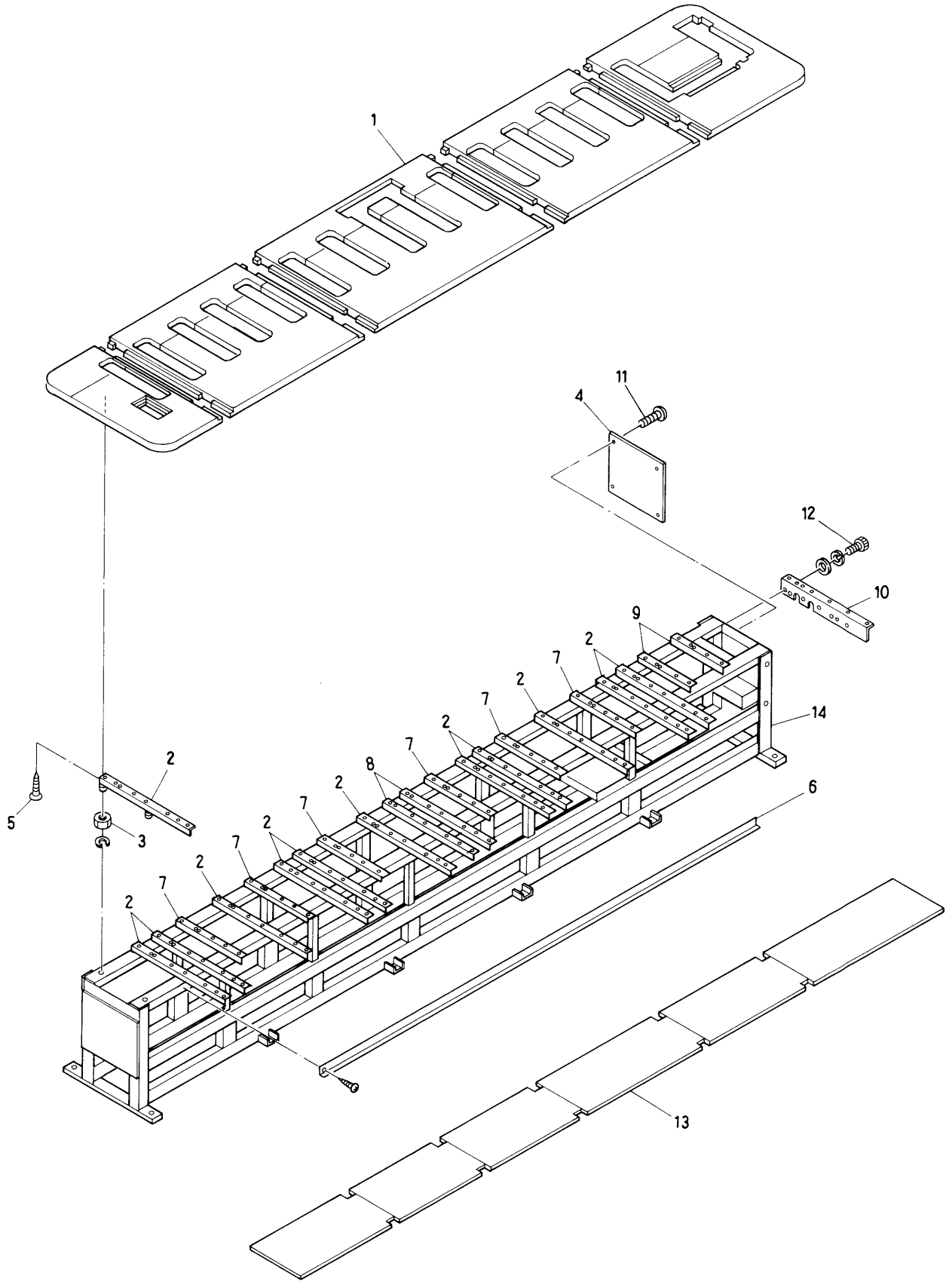
Machine layout (BEMR-YN
BEMS-YN
BEMX-YN)



BEMR-YN
BEMS-YN
BEMX-YN

MODEL BEMR-YN
BEMS-YN
BEMX-YN

From the library of: Diamond Needle Corp

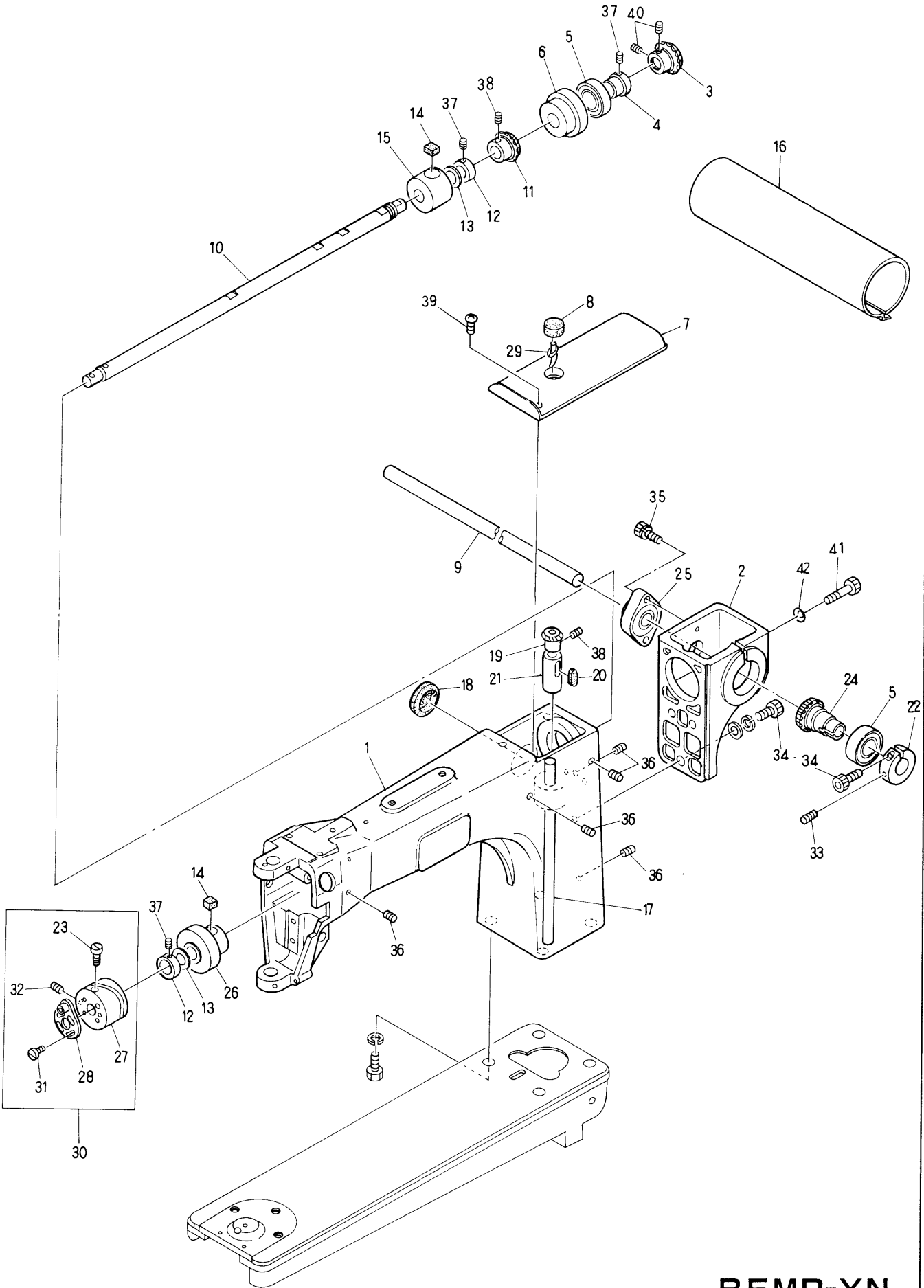


From the library of: Diamond Needle Corp

MODEL
BEMR-YN
BEMS-YN
BEMX-YN

Barudan

② Sewing head a'ssy I



From the library of: Diamond Needle Corp

MODEL

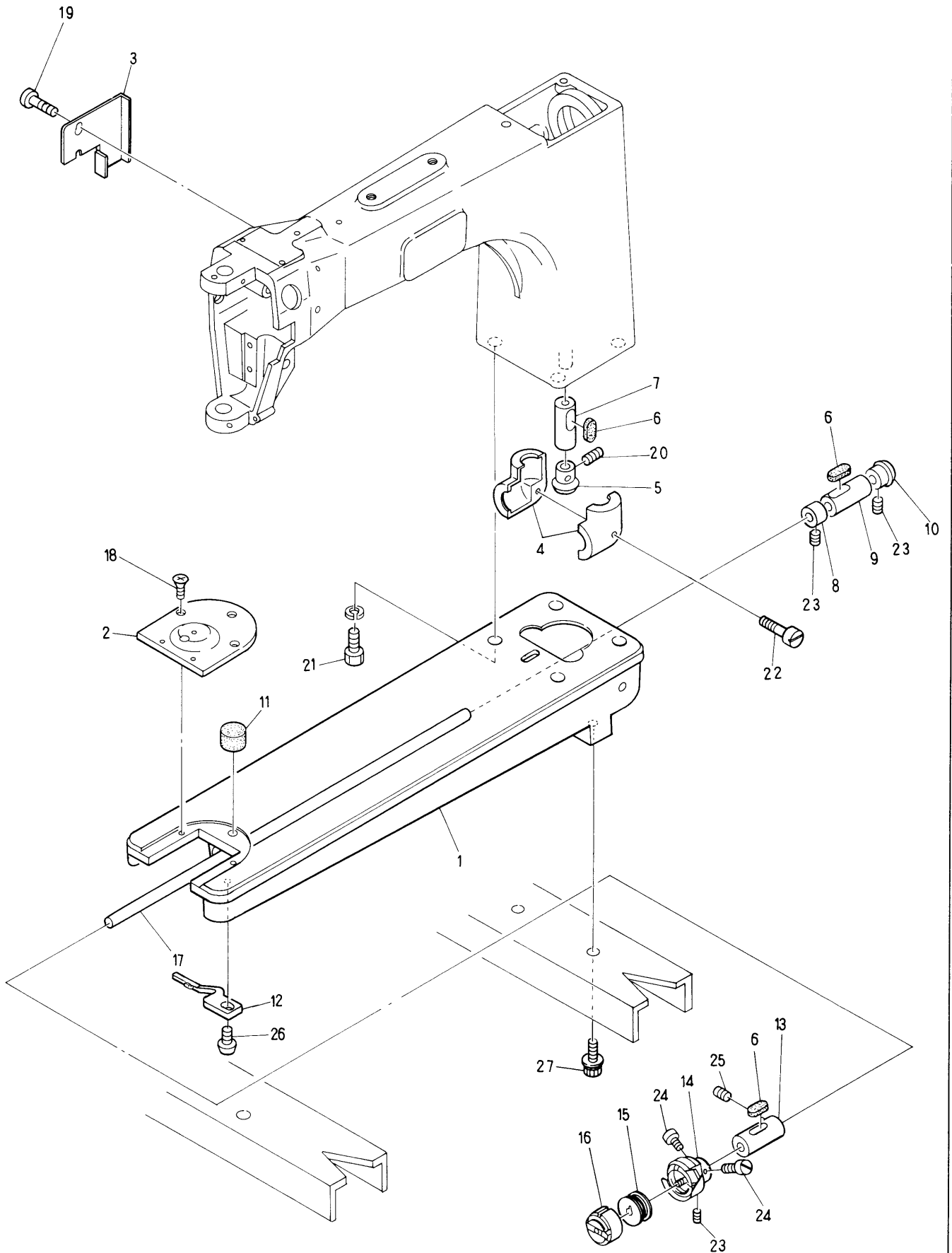
BEMR-YN
BEMS-YN
BEMX-YN

② Sewing head a' ssy I

(※Change the LIST No. by machine type)(H=Head Q'TY)

ITEM	LIST No.	DESCRIPTION	Q'TY	REMARK
1	KB210160	Arm	H×1	
2	KL210140	Arm gear case	H×1	
3	KL220100	Top shaft (Spiral bevel M1.5-25R)	H×1	
4	KL220090	Top shaft bearing collar (Rear)	H×1	
5	A9010017	Bearing (6004ZZ)	H×2	
6	KL220040	Top Shaft bearing case (Rear)	H×1	
7	KL250040	Arm top cover	H×1	
8	KL220150	Oil felt D	H×1	
9	KC320820	Top shaft connecting shaft 15×5700		
10	KL220000	Top shaft	H×1	
11	KF220130	Bevel gear (Top Shaft)	H×1	
12	KL220080	Top shaft collar	H×2	
13	HP231390	Thrust washer (Top Shaft gear)	H×2	
14	KL220130	Oil felt B	H×2	
15	KL220030	Top felt metal (Middle)	H×1	
16	1PKB15320350	Connecting shaft cover set (MS-15 320/350)	1 SET	※
17	KL220010	Vertical shaft	H×1	
18	A9014063	Grommet C-30-SG-36A	H×1	
19	KF220460	Bevel gear (Vertical Shaft upper)	H×1	
20	KL220140	Oil felt C	H×1	
21	KL220050	Vertical metal (Upper)	H×1	
22	KL320020	Connecting gear clamp φ19	H×1	
23	KF230420	Take up lever cam set screw	H×1	
24	KL320000	Connecting gear (Spiral bevel M1.5-25L)	H×1	
25	HP321140	Upper Connecting shaft bearing unit	H×1	
26	KL220020	Top shaft metal (Front)	H×1	
27	KB230030	Take up lever cam K6	H×1	For small bobbin
	KB230040	Take up lever cam L1	H×1	For middle bobbin
28	KB230050	90° Crank	H×1	
29	KC251330	Oil core L=75	H×1	
30	KB230011	Take up lever cam K6 90°	H×1	For small bobbin
	KB230021	Take up lever cam L1 90°	H×1	For middle bobbin
31	A9012007	Screw (SM11/64 40×10)	H×6	
32		Screw (SM15/64 28×10) Lock	H×1	
33		Hex. socket set screw M6×10		
34		Hex. socket bolt M6×25		
35		Hex. socket bolt M6×35 (With spring washer)		
36		Hex. socket screw M6×8		
37		Hex. socket set screw M6×6		
38		Screw (SM1/4 40×4)		
39		Truss screw M4×10		
40		Hex. socket set screw M6×6 (With adhesion)		
41		Hex. socket bolt M6×60		
42		Disc spring M6		

From the library of: Diamond Needle Corp

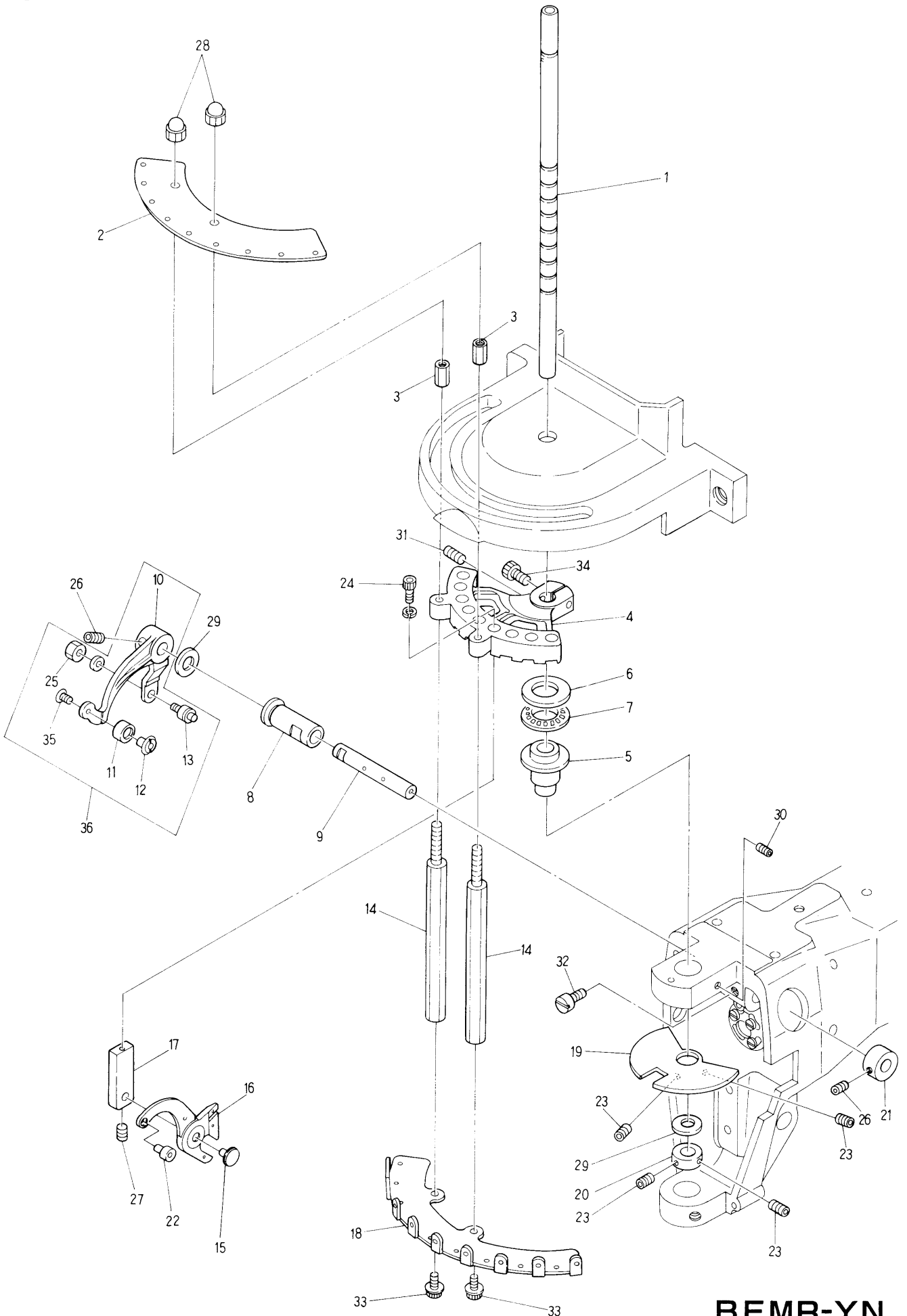


From the library of: Diamond Needle Corp

MODEL
BEMR-YN
BEMS-YN
BEMX-YN

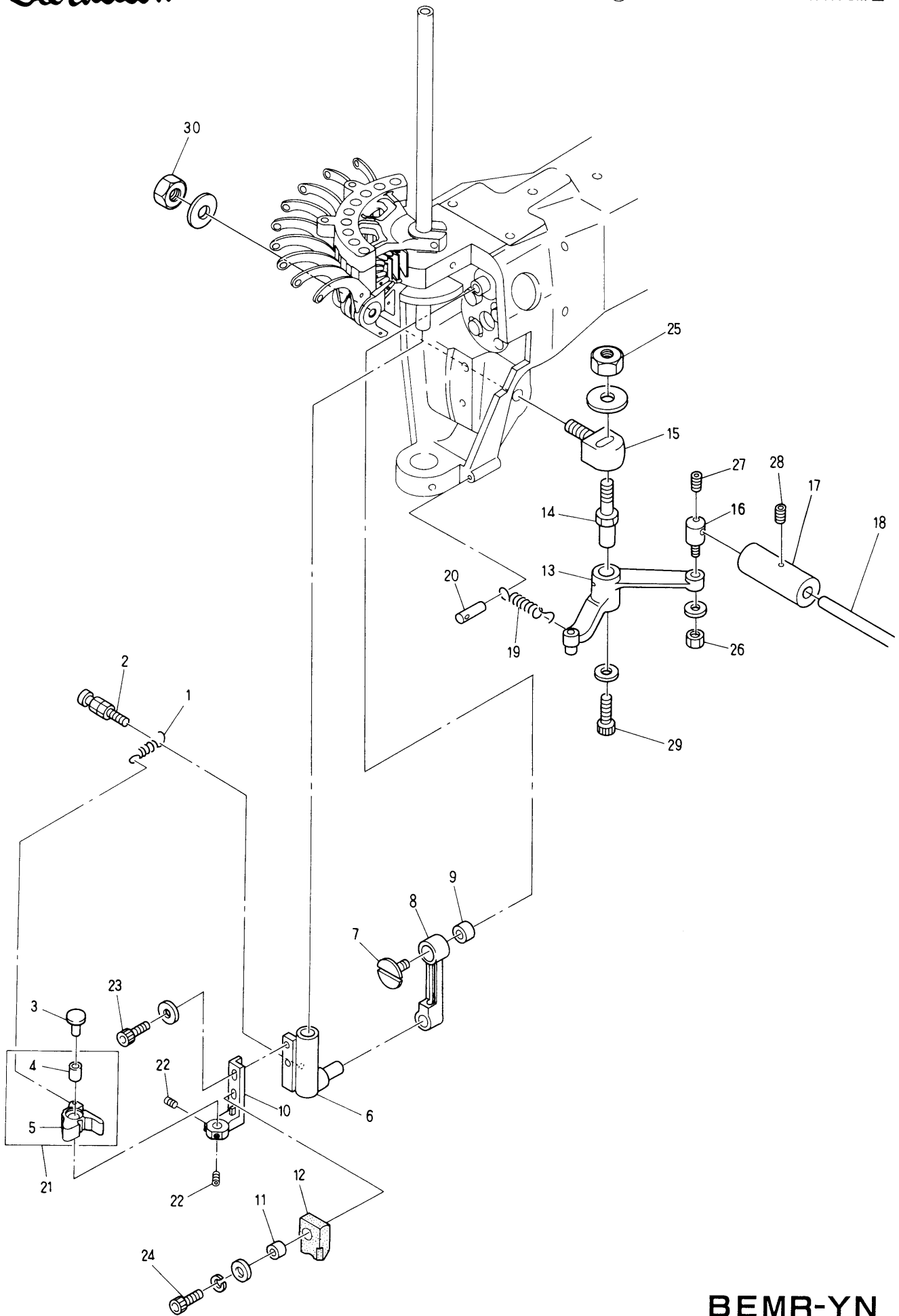
Barudan

④ Take up lever mechanism



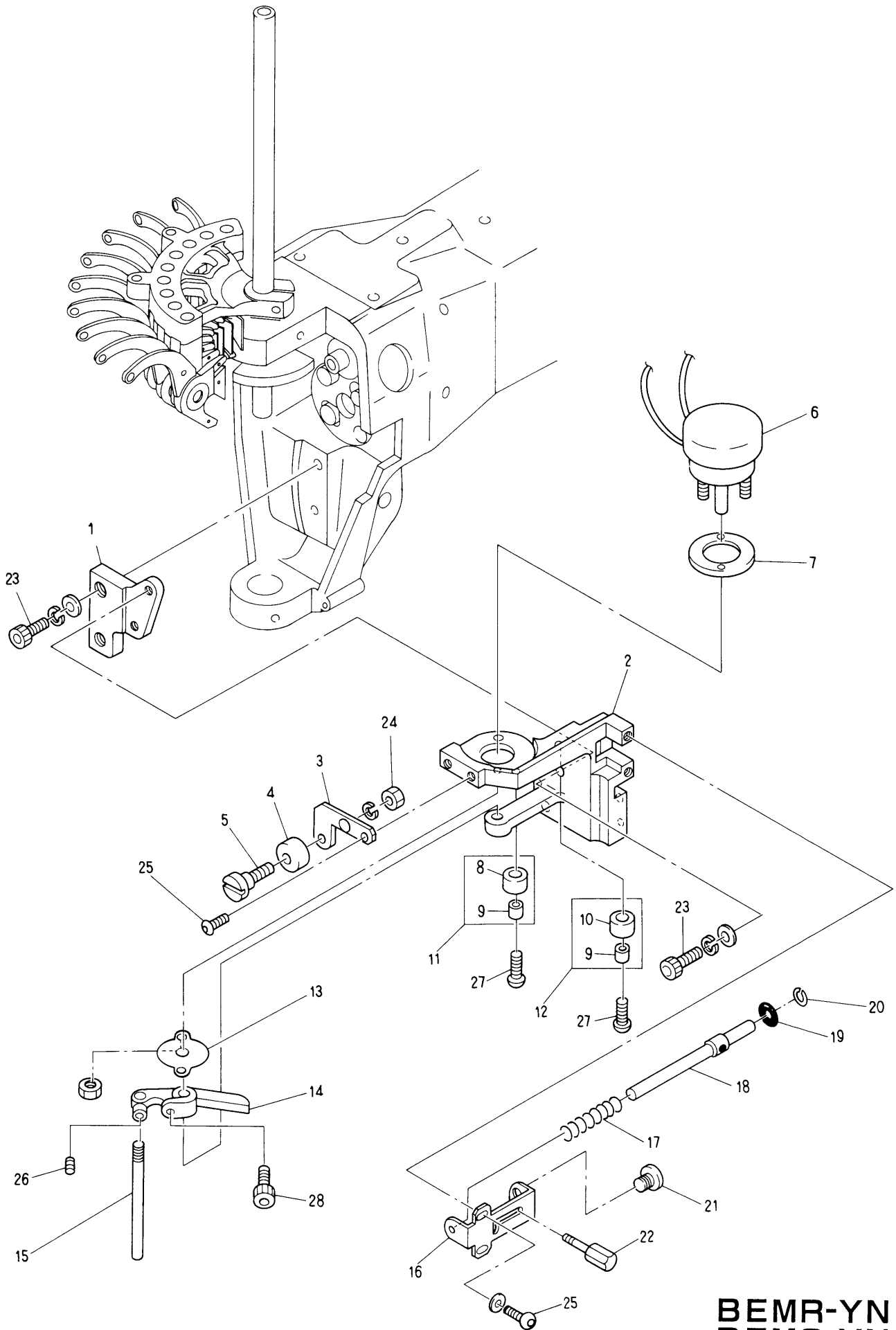
From the library of: Diamond Needle Corp

MODEL BEMR-YN
BEMS-YN
BEMX-YN



From the library of: Diamond Needle Corp

MODEL
BEMR-YN
BEMS-YN
BEMX-YN

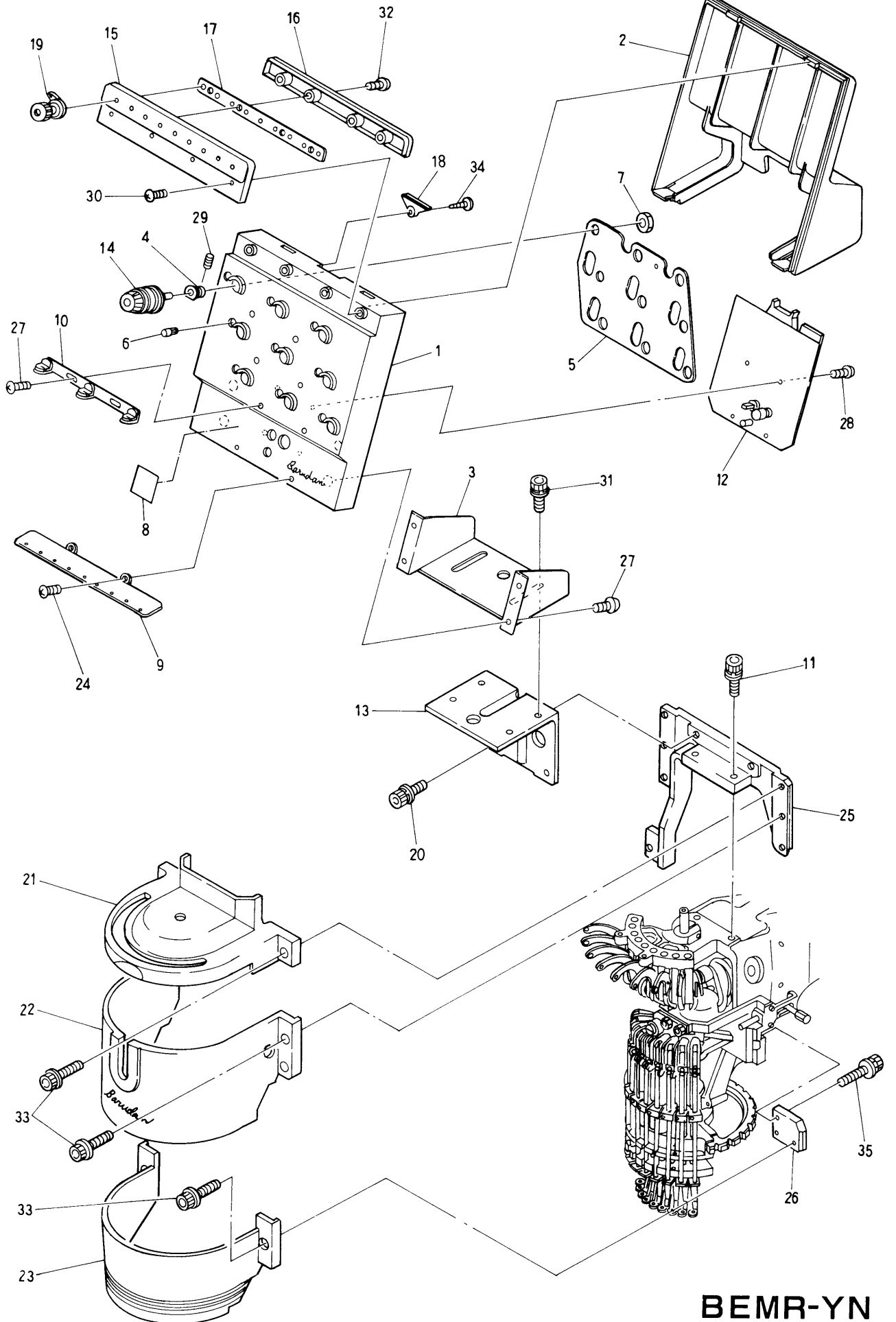


From the library of: Diamond Needle Corp

MODEL
BEMR-YN
BEMS-YN
BEMX-YN

Barudan

⑧ Thread guide mechanism

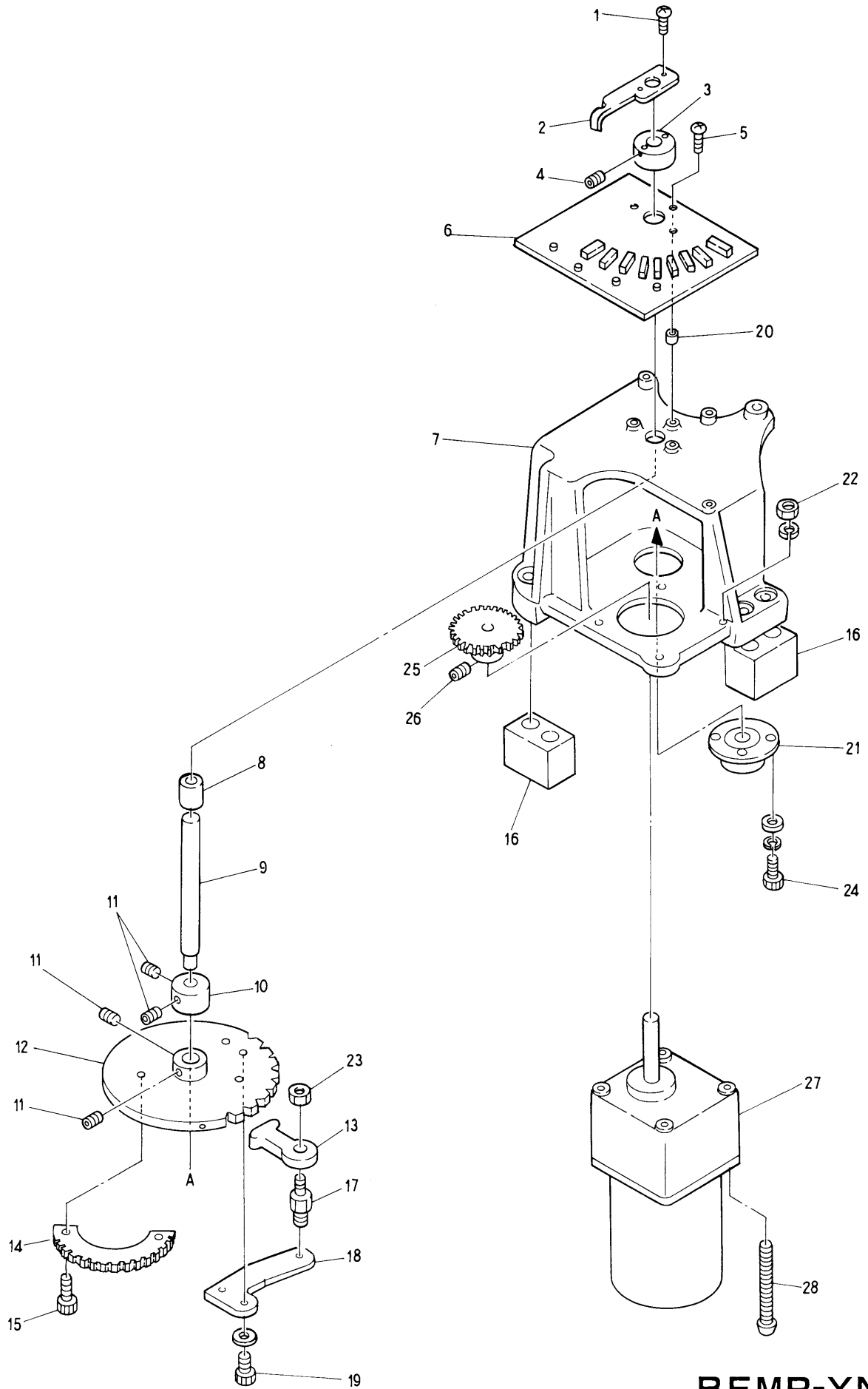


From the library of: Diamond Needle Corp

MODEL
BEMR-YN
BEMS-YN
BEMX-YN

Barudan

⑨ Color change mechanism I

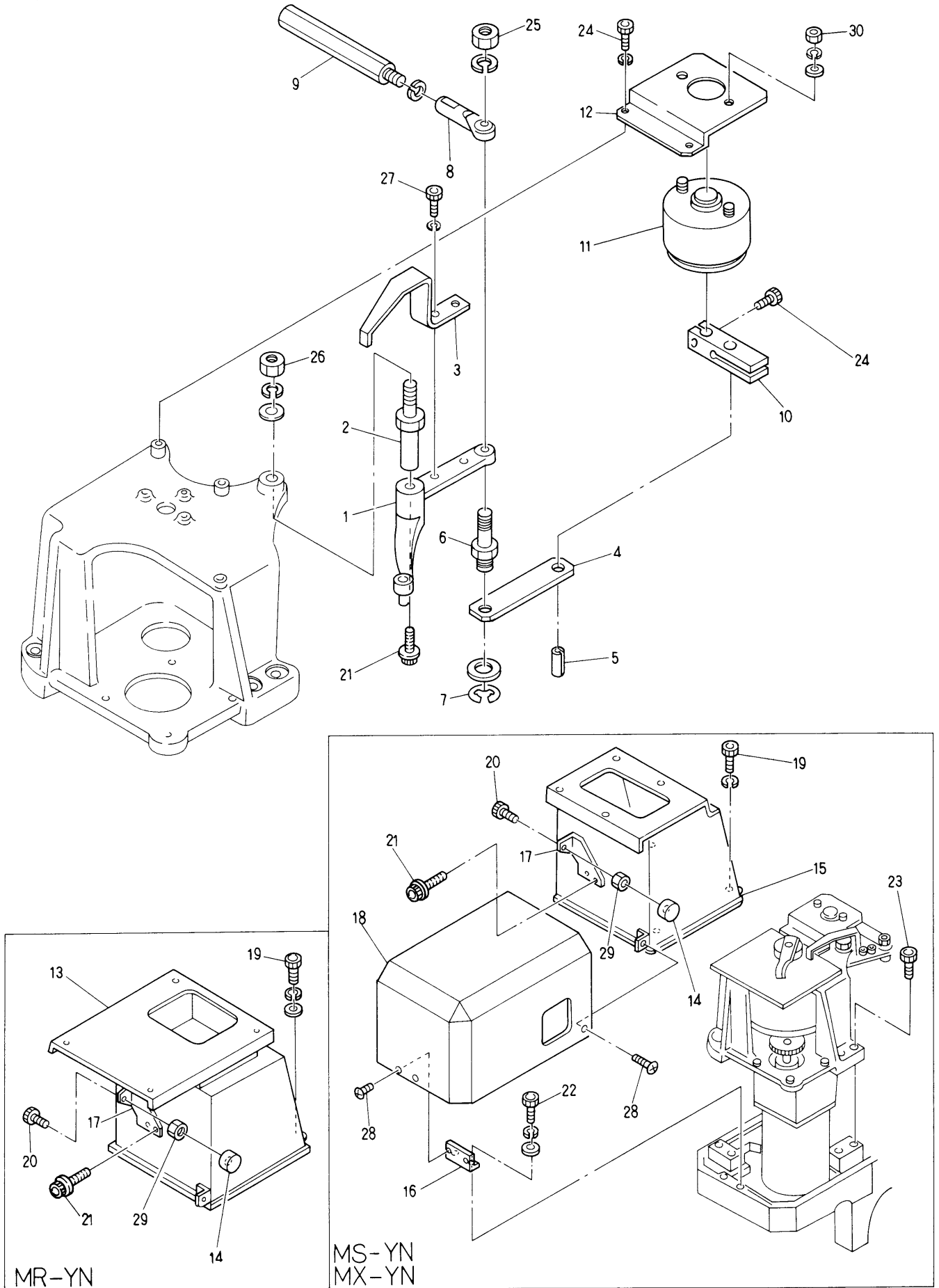


From the library of: Diamond Needle Corp

MODEL
BEMR-YN
BEMS-YN
BEMX-YN

Barudan

⑩ Color change mechanism II



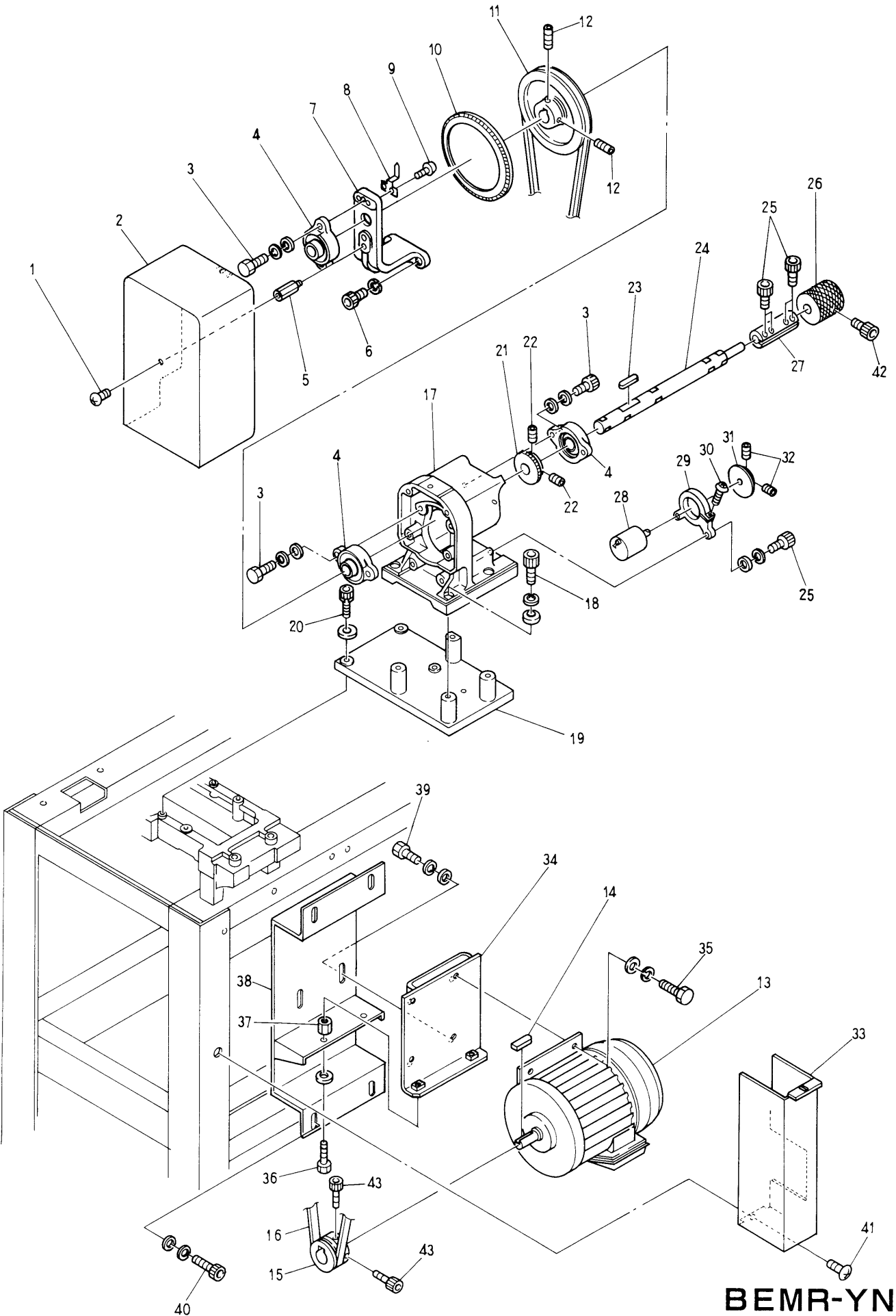
From the library of: Diamond Needle Corp

MR-YN

MS-YN
MX-YN

MODEL

BEMR-YN
BEMS-YN
BEMX-YN

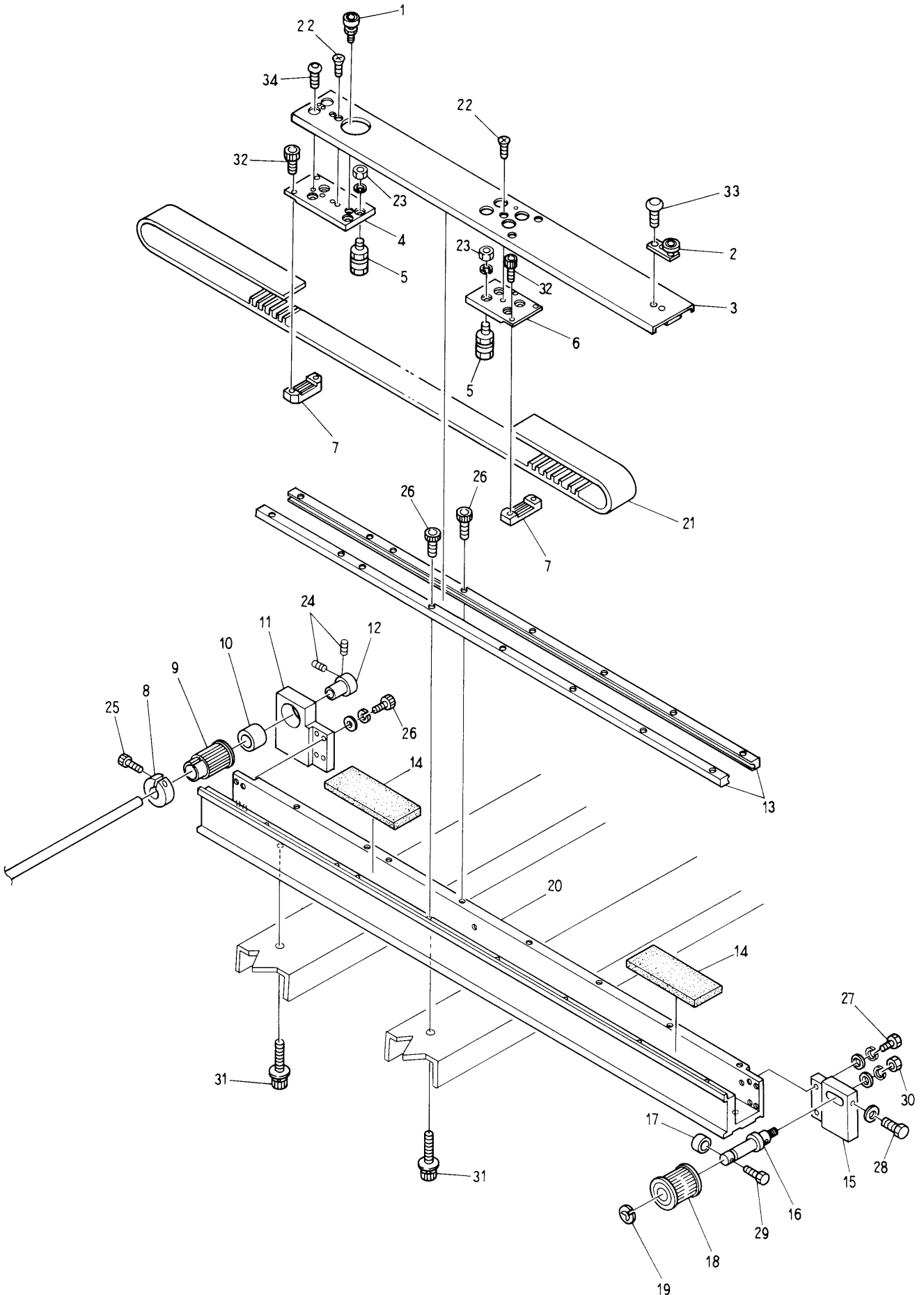


From the library of: Diamond Needle Corp

MODEL
BEMR-YN
BEMS-YN
BEMX-YN

⑪ Drive mechanism

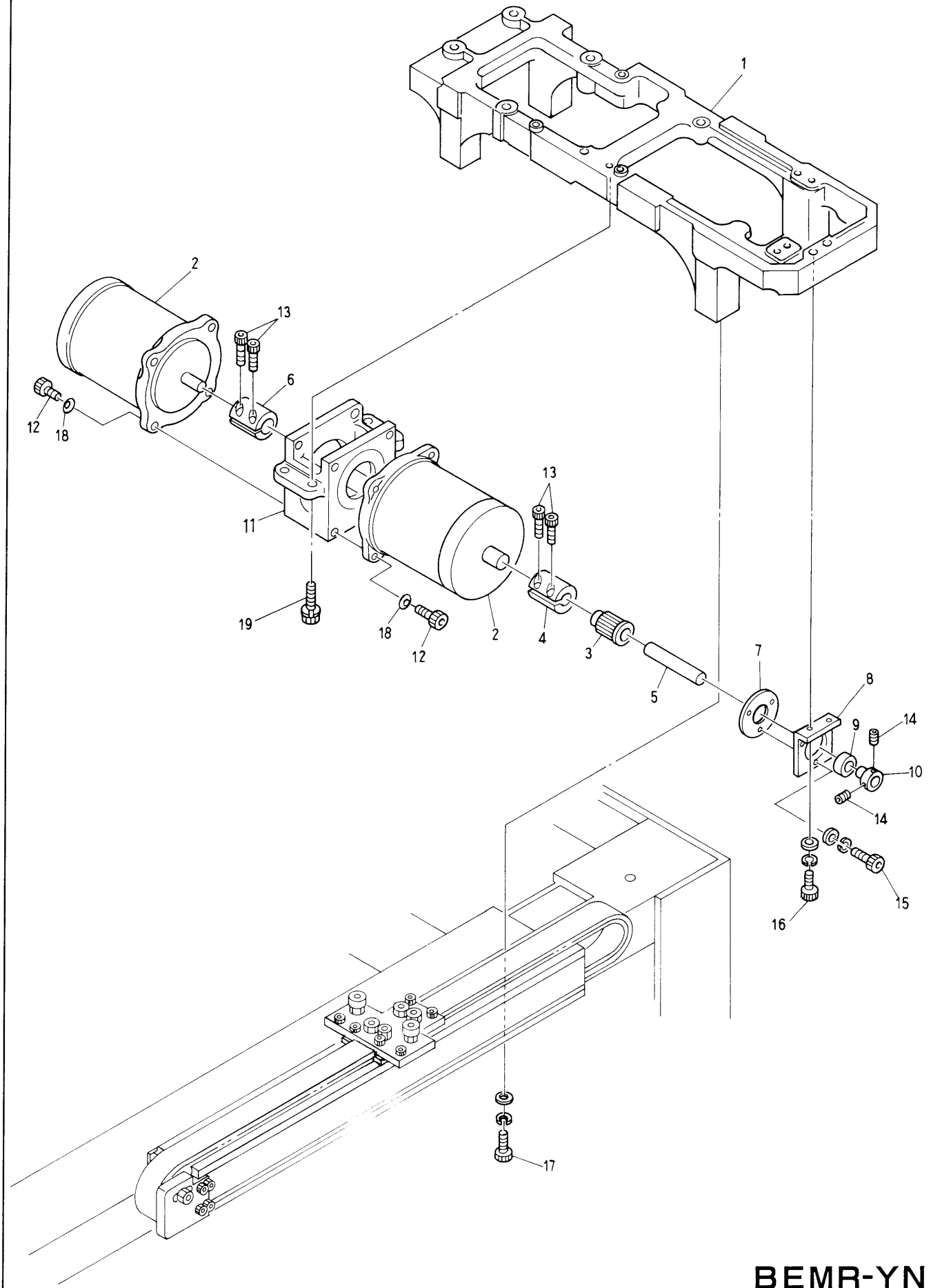
ITEM	LIST No.	DESCRIPTION	Q'TY	REMARK
1		Truss screw M4×6		
2	KK310030	Belt cover (Upper)	1	
3		Hex, bolt M8×25		
4	A9011017	Bearing unit (BLF204)	3	
5	KN312940	Belt cover stay	1	
6		Hex, socket bolt M8×25		
7	KN315130	Brake box bearing	1	
8	KN310050	Angle gauge	1	
9		Hex, socket button bolt M4×10		
10	KN313670	Angle label (A)	1	
11	KN310000	Driving pulley φ152.2	1	
12		Hex, socket set screw M6×8		
13	KN315110	Motor (IKFBK8-4P0.55KW, VF3 200V)	1	
14		Key 6×6×32	1	
15	KN310010	Motor pulley φ48.6	1	
16	A9020200	V-Belt (4PK-1240)	1	
17	KN312810	Brake box	1	
18		Hex, socket bolt M6×40		
19	KK310040	Brake box base	1	
20		Hex, socket bolt M6×35 (With spring washer)		
21	KC312911	Encoder driving gear No.1	1	
22		Hex, socket set screw M5×8		
23	WW310210	Key 6×6×35	1	
24	KN312820	Brake shaft	1	
25		Hex, socket bolt M6×20		
26	KC320590	Hand pulley	1	
27	HH320550	Upper shaft connecting coupling	1	
28	KN511020	Position corder 051 (for Embroidery machine)	1	
29	KC312890	Encoder retainer	1	
30		Pan screw M4×15		
31	KC312921	Encoder driving gear No.2	1	
32		Hex, socket set M4×8		
33	KL310100	Belt cover (Lower)	1	
34	KL310071	Motor fixing bracket	1	
35		Hex, bolt M8×25		
36		Hex, bolt M8×60		
37		Hex, nut M8		
38	KL310081	Motor base	1	
39		Hex, bolt M8×20		
40		Hex, socket bolt M8×25		
41		Truss screw M4×8		
42		Hex, socket bolt M6×12		
43		Hex, socket bolt M6×15		Key side
		Hex, socket bolt M6×18		



From the library of: Diamond Needle Corp

Barudan

⑮ Pantograph drive mechanismIV
(V-Direction • Drive)

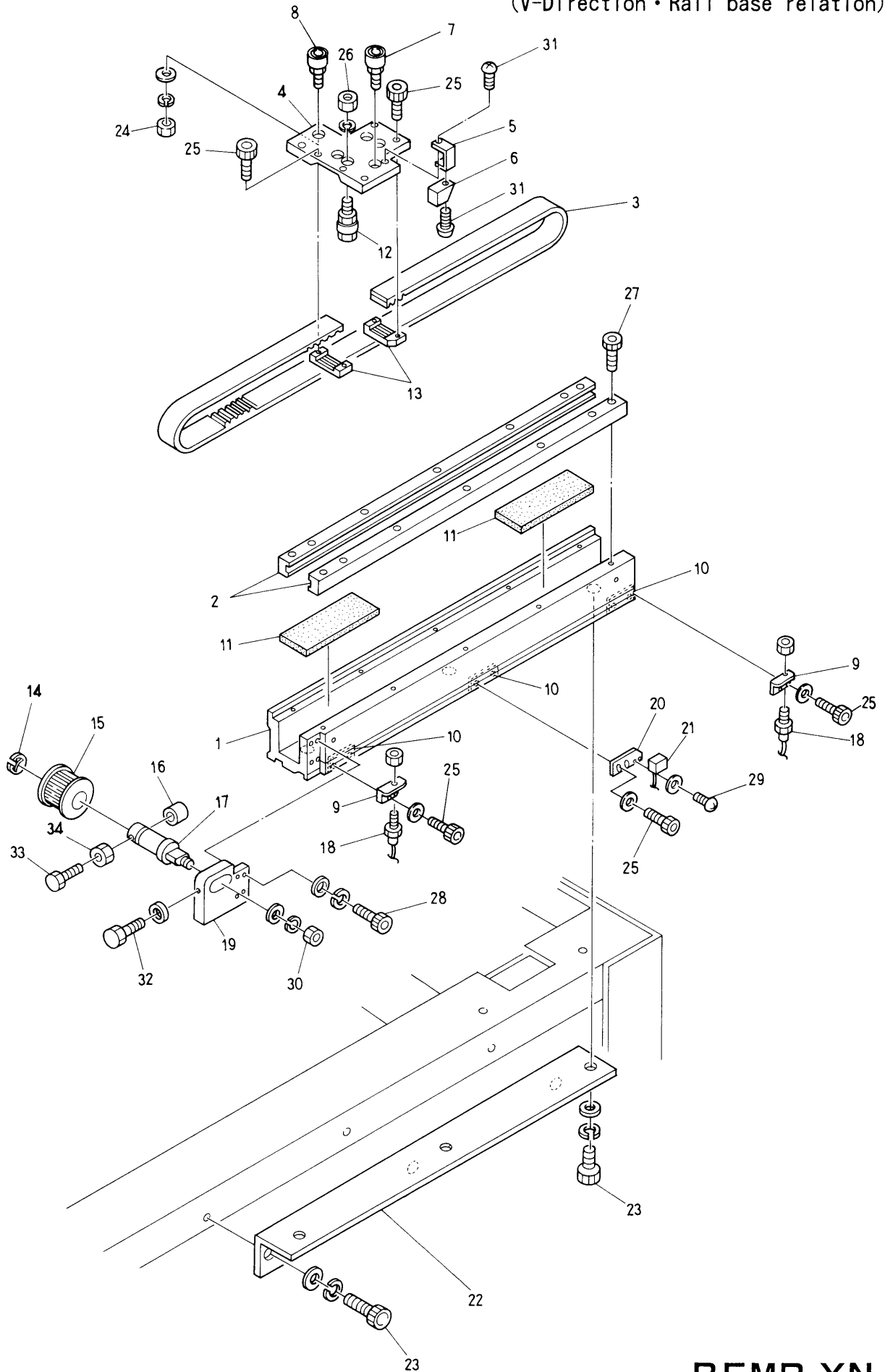


From the library of: Diamond Needle Corp

MODEL
BEMR-YN
BEMS-YN
BEMX-YN

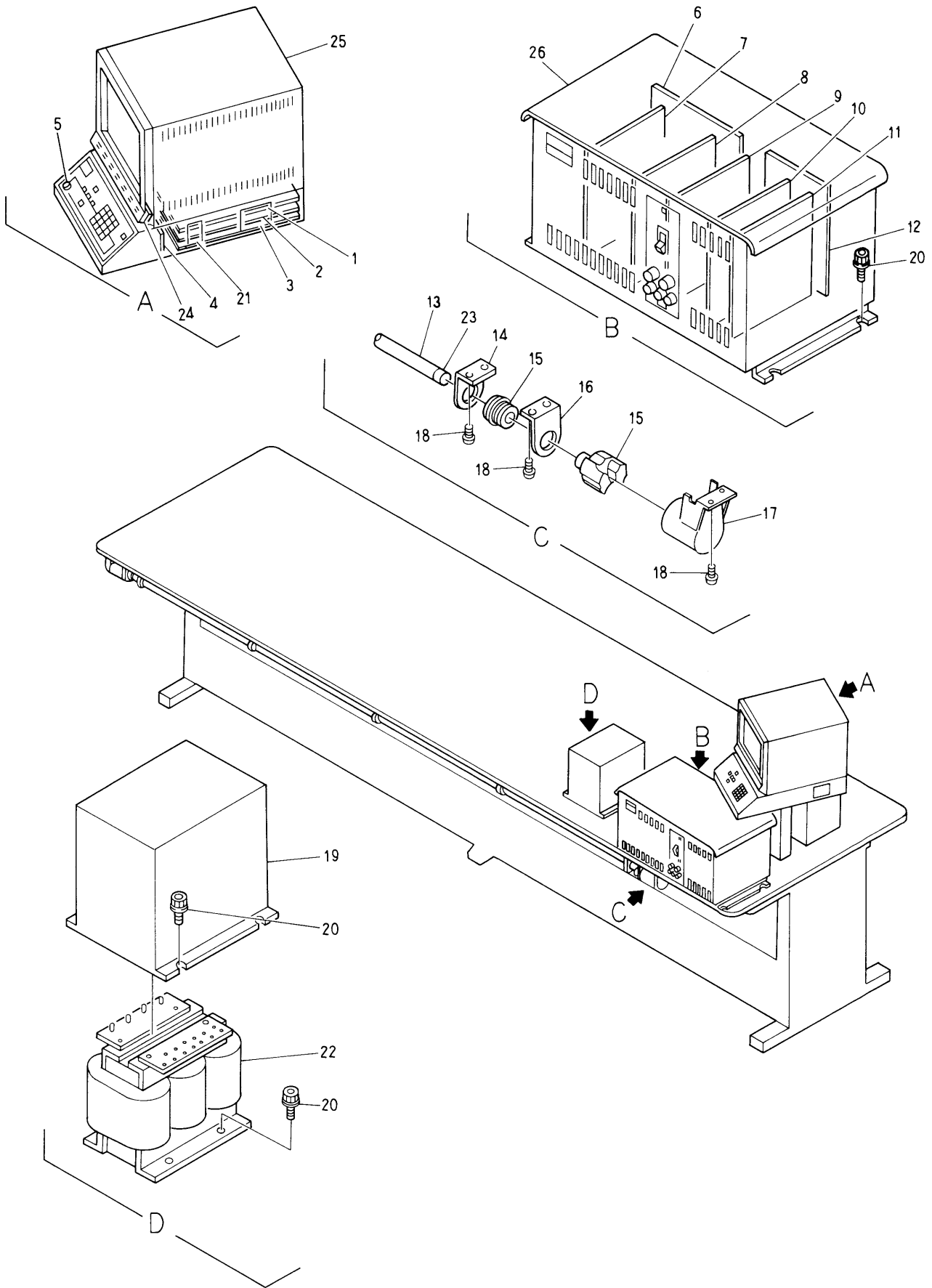
Barudan

⑬ Pantograph drive mechanism V
(V-Direction • Rail base relation)



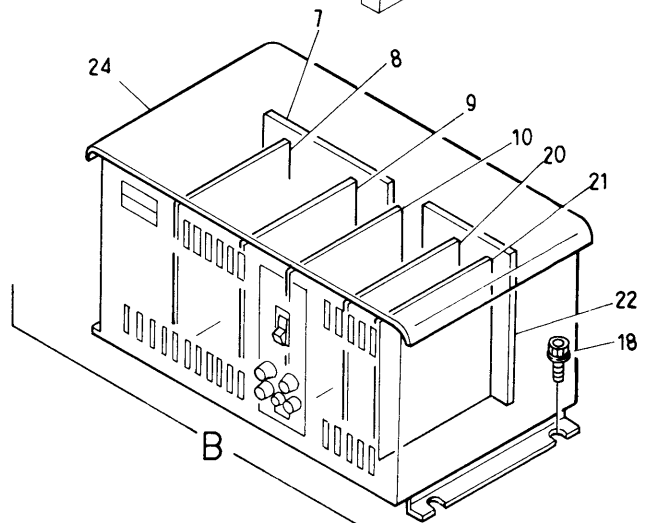
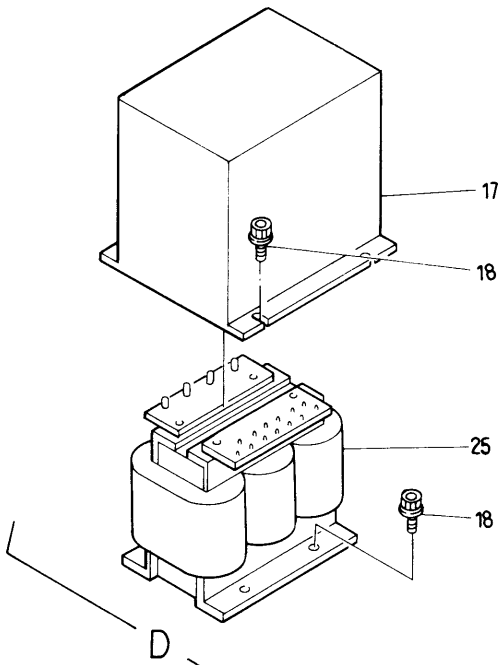
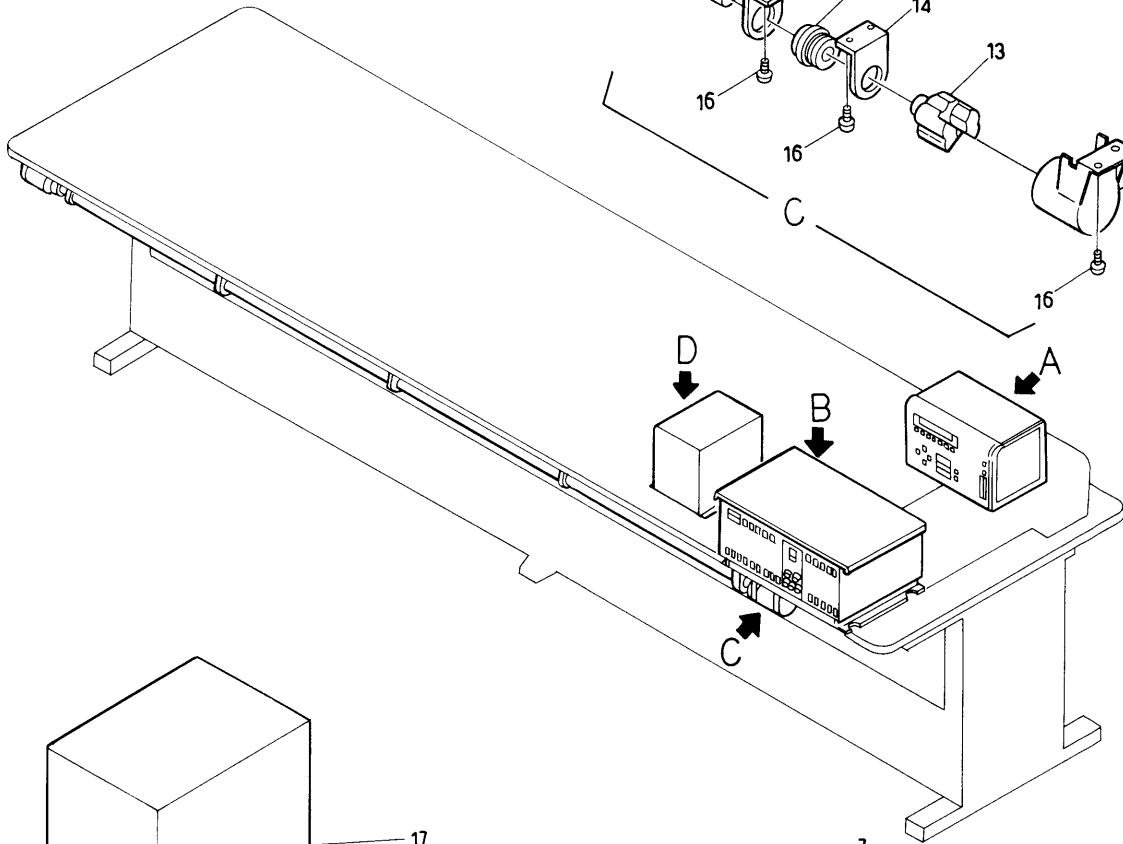
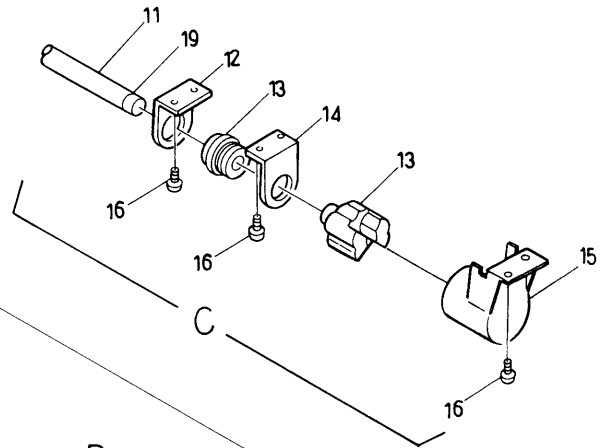
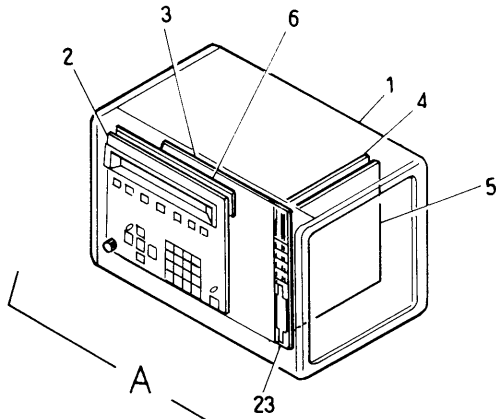
From the library of: Diamond Needle Corp

MODEL
BEMR-YN
BEMS-YN
BEMX-YN

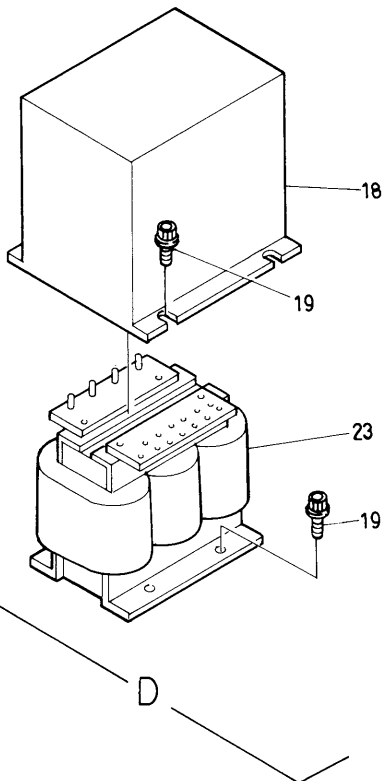
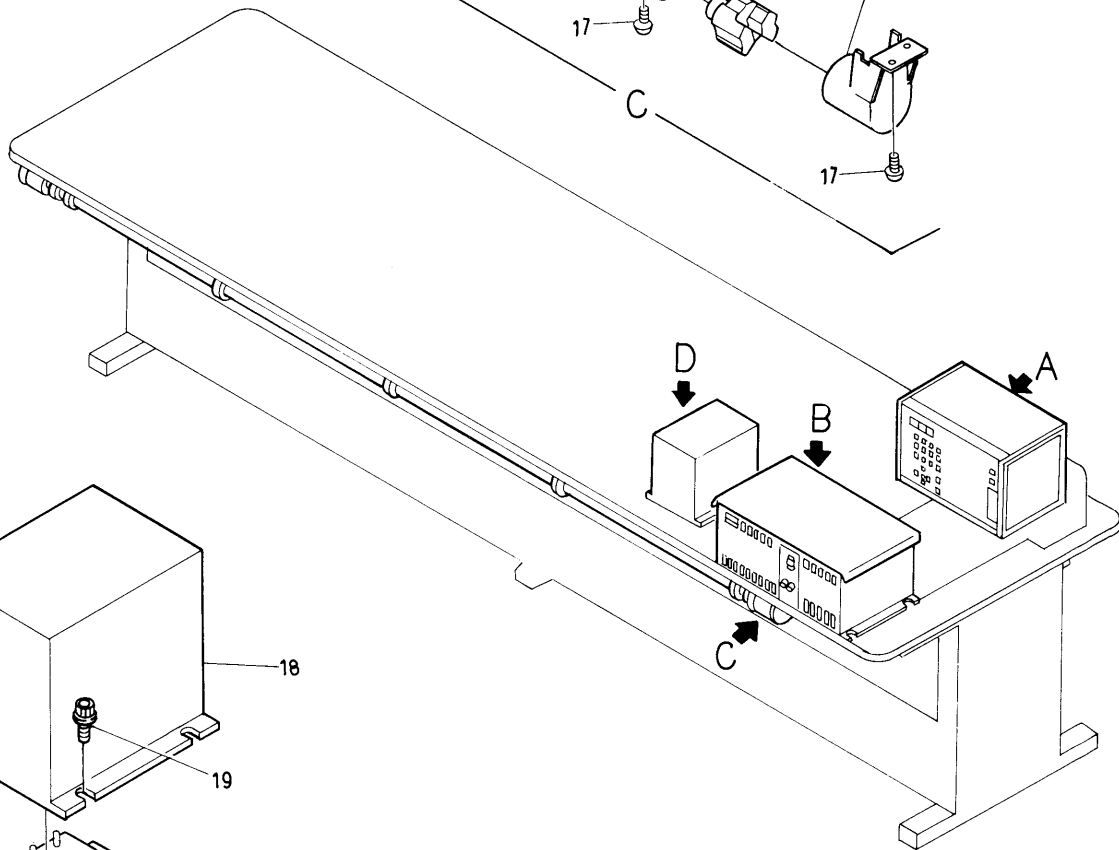
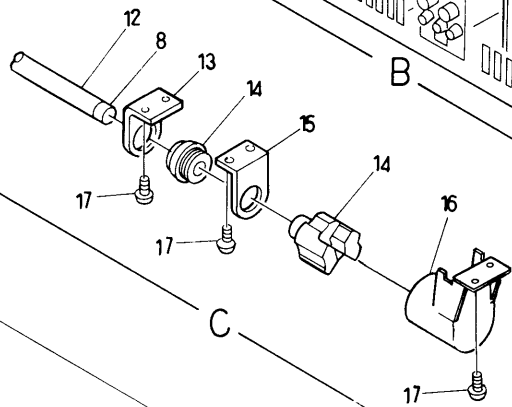
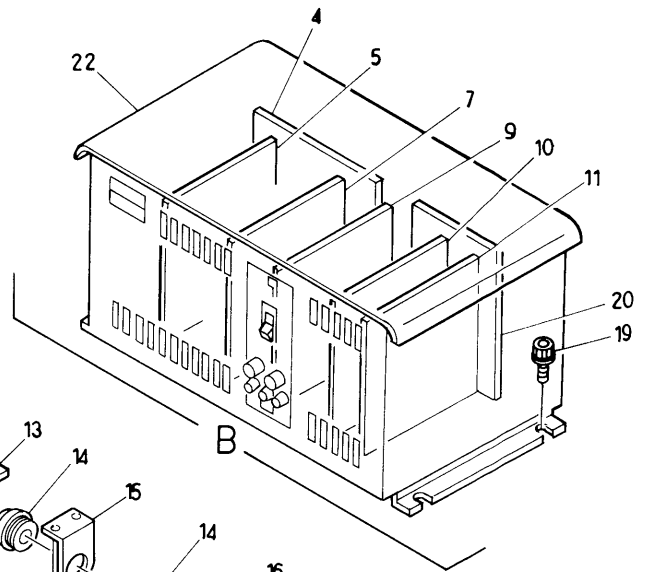
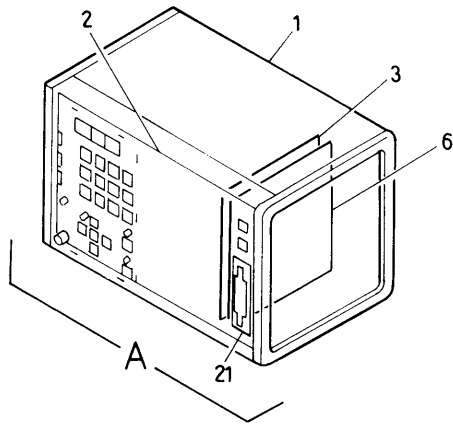


From the library of: Diamond Needle Corp

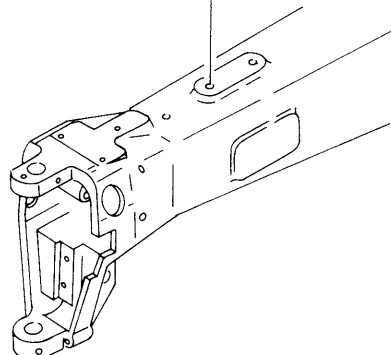
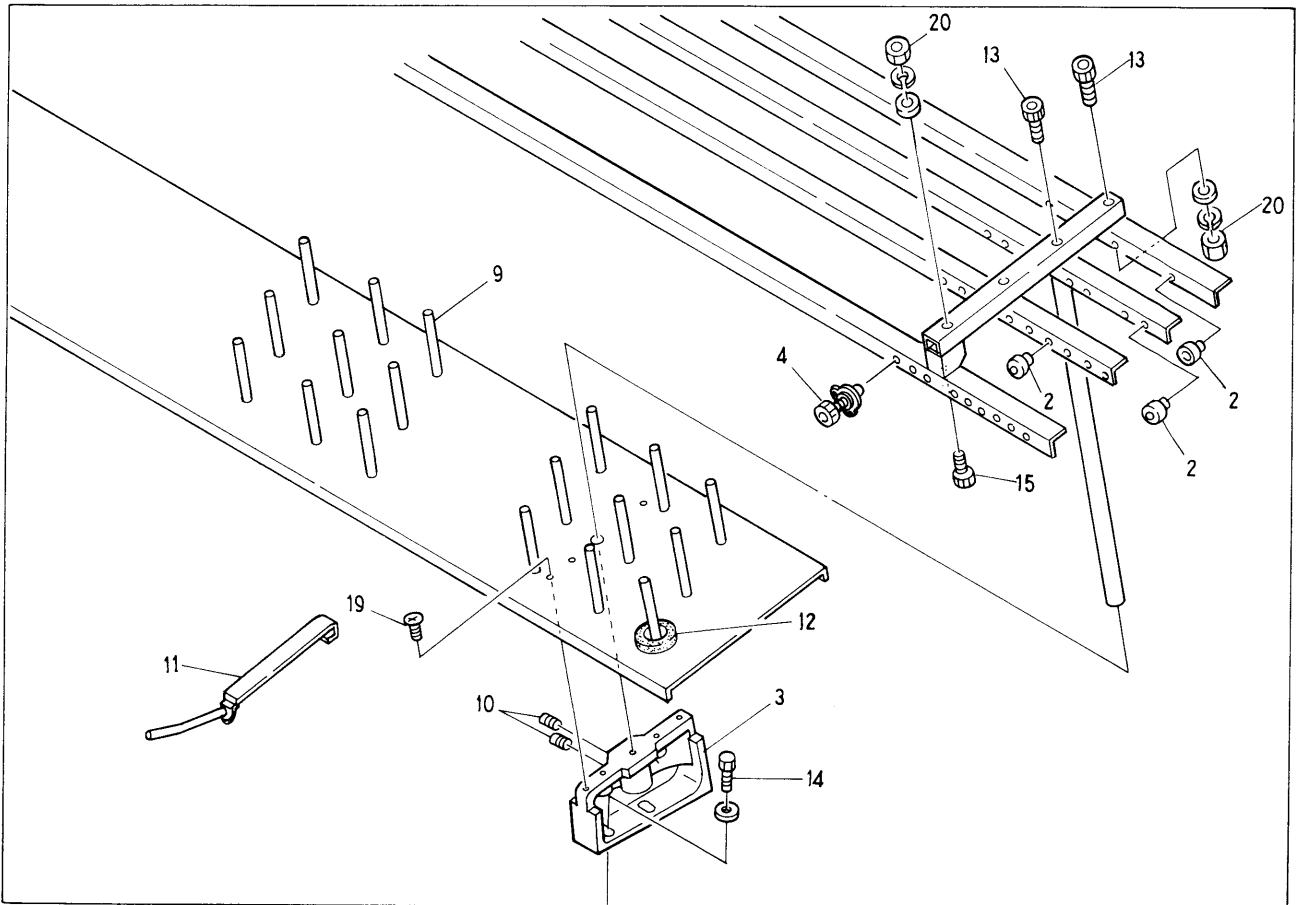
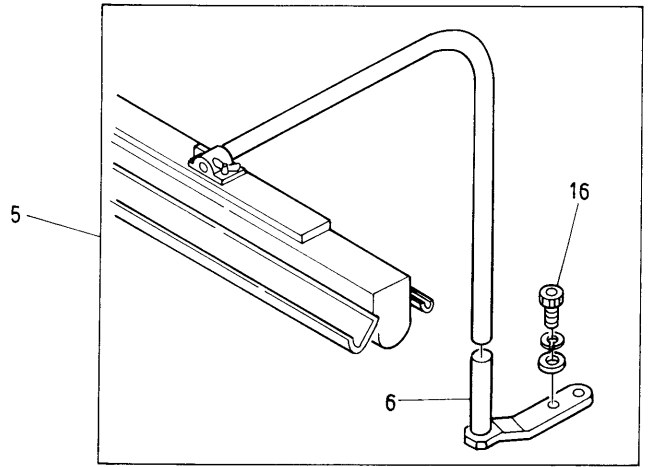
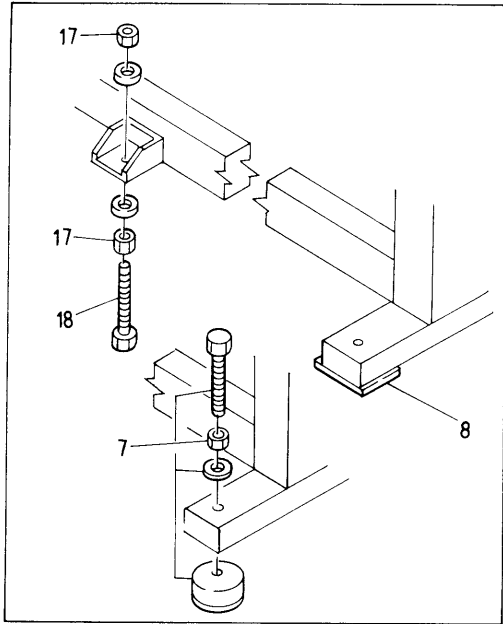
MODEL
BEMR-YN
BEMS-YN
BEMX-YN



BEMR-YN
BEMS-YN
BEMX-YN



From the library of: Diamond Needle Corp

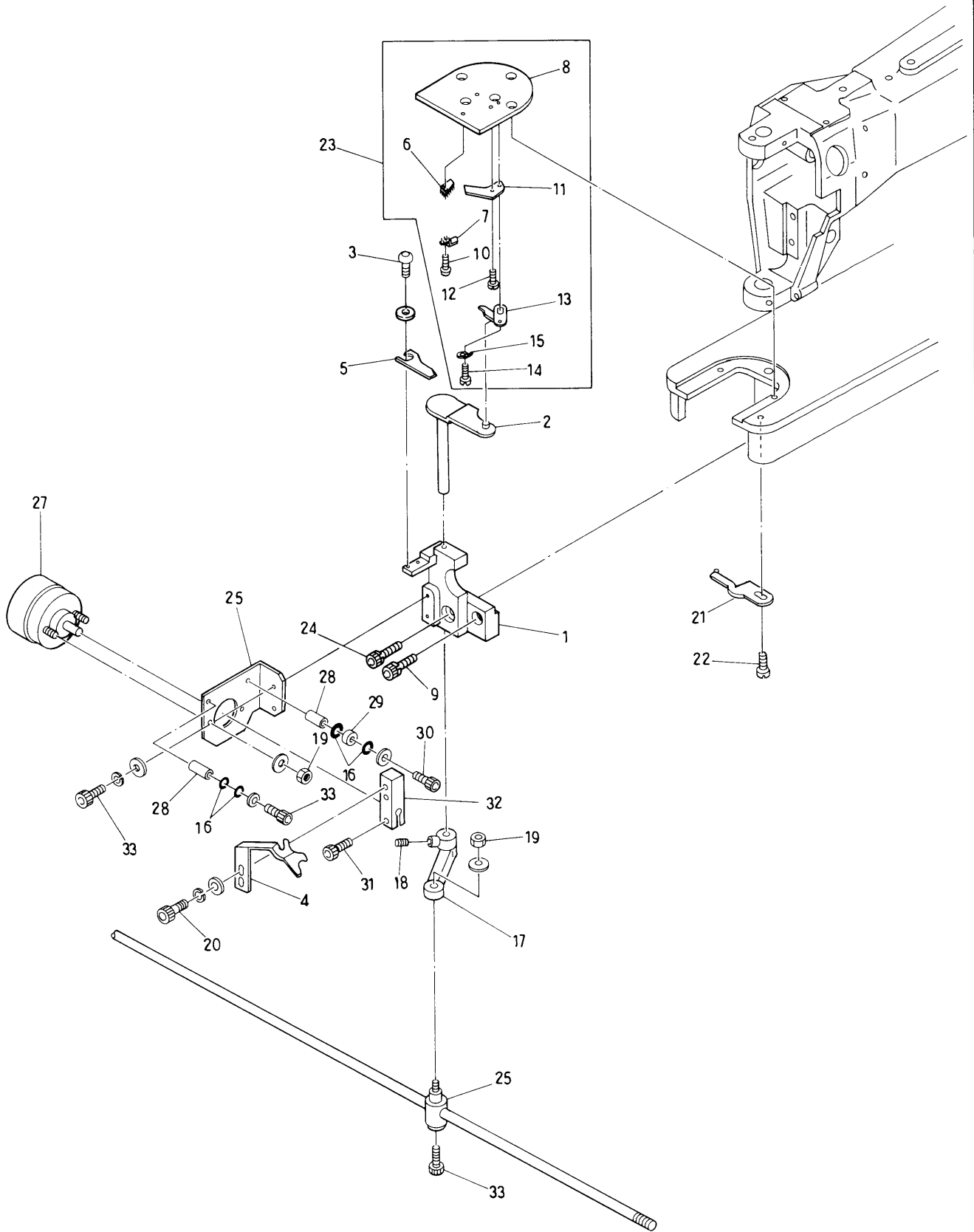


MODEL

BEMR-YN
BEMS-YN
BEMX-YN

Barudan

①9 Automatic thread cutting mechanism I
(Thread cutting section)

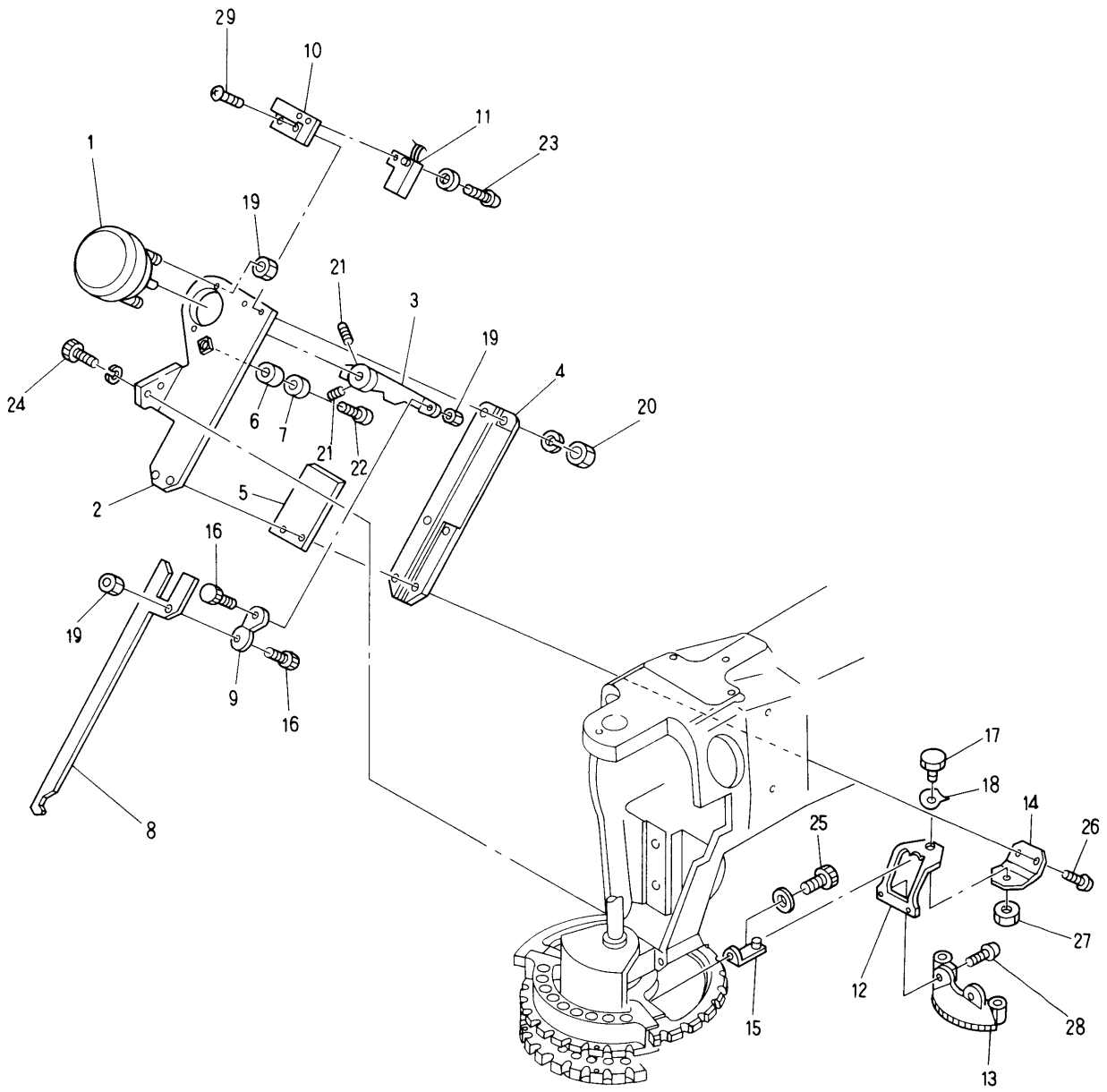


From the library of: Diamond Needle Corp

MODEL
BEMR-YN
BEMS-YN
BEMX-YN

Barudan

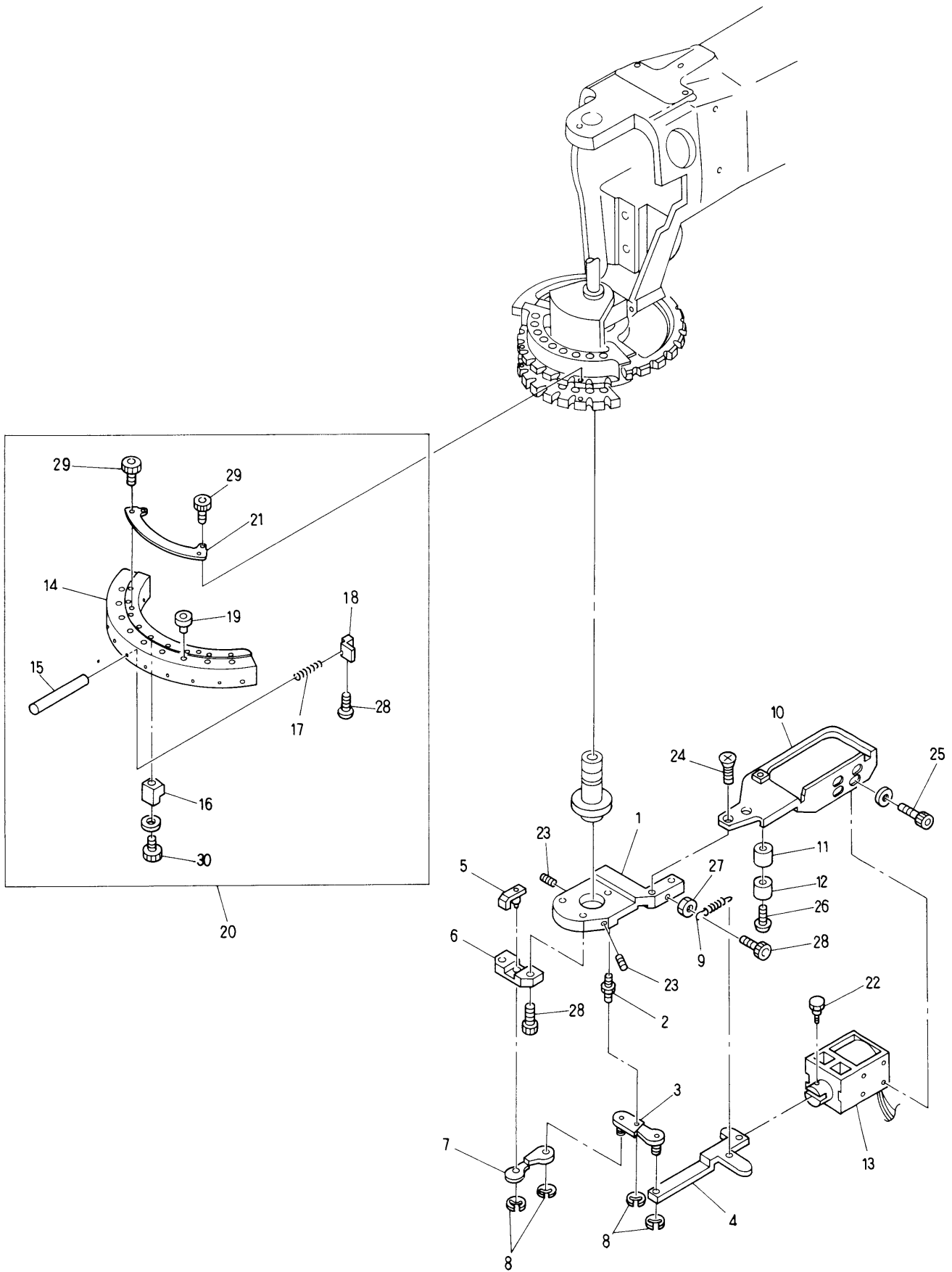
②⑩ Automatic thread cutting mechanism II
(Thread away section)



From the library of: Diamond Needle Corp

MODEL

BEMR-YN
BEMS-YN
BEMX-YN

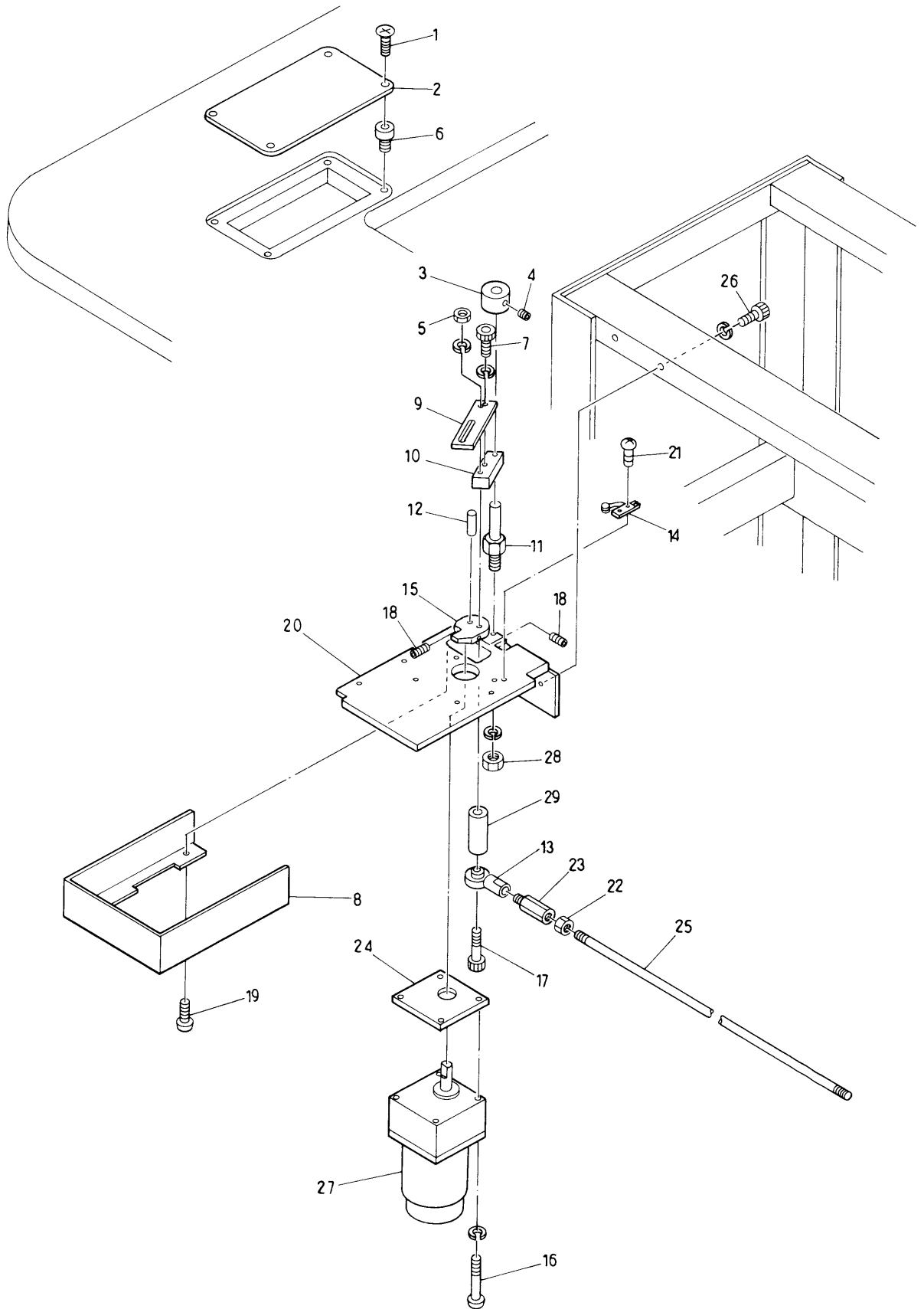


From the library of: Diamond Needle Corp

MODEL
BEMR-YN
BEMS-YN
BEMX-YN

Barudan

② Automatic thread cutting mechanismIV
(Thread cutting drive section)



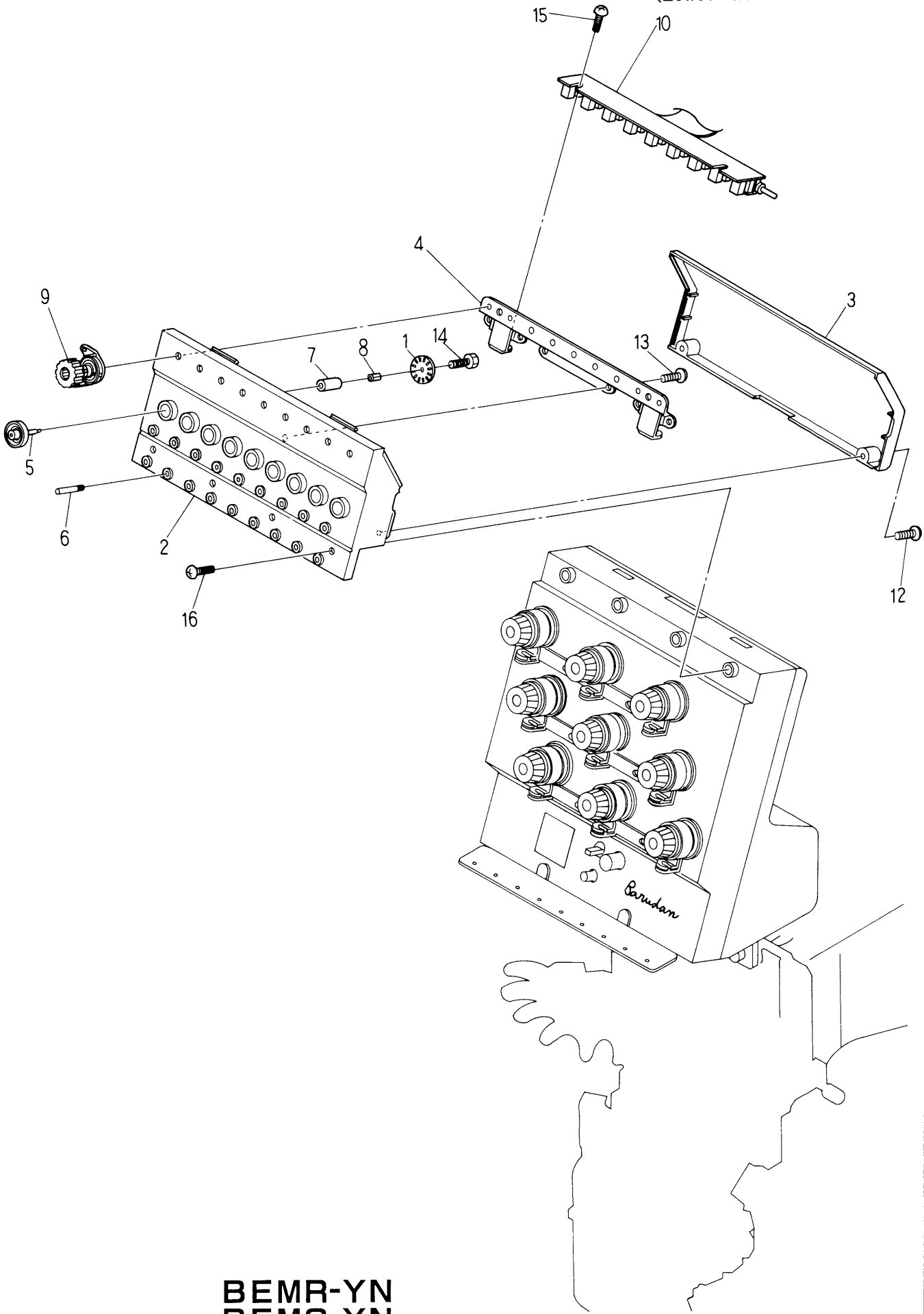
From the library of: Diamond Needle Corp

MODEL

BEMR-YN
BEMS-YN
BEMX-YN

Barudan

⑳ Thread guide mechanism
(Lower thread sensorium)



From the library of: Diamond Needle Corp

MODEL
BEMR-YN
BEMS-YN
BEMX-YN

I N D E X

LIST No.	PAGE No.	ITEM	LIST No.	PAGE No.	ITEM
1AE153203500	3	14	A9052031	29	9
1BE153203500	3	1	A9052031	33	21
1HP12300	41	1	A9056010	43	27
1KN153203500	3	13	A9056013	47	13
1LKC450020	25	13	A9056018	45	1
1PKB15320350	5	16	A9056020	15	6
A9010017	5	5	A9065028	49	27
A9011017	23	4	A9065035	19	27
A9011021	9	7	EAY017A1	35	25
A9011021	11	21	EAY021A2	35	26
A9011022	11	23	EAY021A2	37	24
A9011023	11	20	EAY021A3	35	22
A9011063	27	10	EAY021A3	37	1
A9011063	31	9	EAY021A3	37	25
A9011115	13	9	EAY021A3	39	23
A9011152	9	6	EAY022A3	35	22
A9012001	19	13	EAY022A3	37	25
A9012002	21	8	EAY022A3	39	23
A9012002	49	13	EAY023A1	39	1
A9012007	5	31	EBY00450	35	1
A9012051	15	20	EBY00460	35	2
A9012052	27	19	EBY00470	35	3
A9012052	33	14	EBY00480	35	4
A9012053	11	31	EBY00490	35	5
A9012056	47	8	EBY00500	35	24
A9012137	21	7	EBY00510	35	11
A9012143	21	5	EBY00510	37	21
A9012164	9	29	EBY00510	39	11
A9012190	13	4	EBY00520	35	10
A9012208	19	20	EBY00520	37	20
A9012291	11	17	EBY00520	39	10
A9013045	43	15	EBY00530	35	8
A9013045	45	18	EBY00530	37	9
A9014051	15	19	EBY00530	39	7
A9014055	11	19	EBY00540	35	7
A9014063	5	18	EBY00540	37	8
A9020098	27	21	EBY00540	39	5
A9020098	33	3	EBY00550	35	9
A9020200	23	16	EBY00550	37	10
A9052005	49	14	EBY00550	39	9
A9052024	29	7	EBY00560	35	12
A9052024	33	18	EBY00560	37	22
A9052028	45	11	EBY00560	39	20
A9052030	29	2	EBY00570	35	6
A9052030	33	6	EBY00570	37	7

From the library of: Diamond Needle Corp

I N D E X

L I S T	No.	PAGE No.	ITEM	L I S T	No.	PAGE No.	ITEM
E B Y 0 0 5 7 0		3 9	4	H H 1 2 0 9 0 0		4 1	7
E B Y 0 0 6 3 0		3 5	2 1	H H 3 2 0 5 5 0		2 3	2 7
E B Y 0 0 6 3 0		3 7	2 3	H H 3 3 0 7 6 0		4 9	2 3
E B Y 0 0 6 3 0		3 9	2 1	H H 4 8 1 9 0 0		2 9	3
E B Y 0 0 9 3 0		3 9	2	H H 4 8 1 9 0 0		3 1	2
E B Y 0 0 9 4 0		3 7	4	H H 4 8 1 9 3 1		2 9	5
E B Y 0 0 9 4 0		3 9	3	H H 4 8 1 9 3 1		3 1	6
E B Y 0 0 9 5 0		3 7	5	H H 4 8 1 9 7 0		2 7	1 2
E B Y 0 0 9 5 0		3 9	6	H H 4 8 1 9 7 0		3 1	1 0
E B Y 0 0 9 7 0		3 7	3	H H 4 8 1 9 8 0		2 7	8
E B Y 0 0 9 8 0		3 7	6	H H 4 8 1 9 9 1		2 7	1 6
E B Y 0 0 9 9 0		3 7	2	H H 4 8 1 9 9 1		3 3	1 7
E B Y 0 1 1 0 0		1 7	1 2	H H 4 8 2 1 1 0		2 7	1 7
E B Y 0 1 1 2 0		1 9	6	H H 4 8 2 1 1 0		3 3	1 6
E B Y 0 2 1 A 2		3 9	2 2	H P 2 3 1 3 9 0		5	1 3
H B 2 2 0 0 1 0		7	1 4	H P 2 4 1 4 3 0		4 1	4
H B 2 3 0 1 4 0		1 1	2 2	H P 2 7 2 5 5 0		4 3	1
H B 2 3 0 1 6 0		9	2 0	H P 2 7 2 5 6 0		4 3	2
H B 2 3 0 1 7 0		1 1	2 4	H P 2 7 2 5 7 0		4 3	2 6
H B 2 3 0 2 7 0		9	2 1	H P 3 2 1 1 4 0		5	2 5
H B 2 3 0 2 9 1		9	4	H P 4 8 2 9 4 0		2 7	7
H B 2 3 0 3 7 2		1 3	1 0	H P 4 8 2 9 4 0		3 3	1 3
H B 2 3 0 3 8 3		1 3	5	H P 4 8 2 9 5 0		2 7	5
H B 2 3 0 3 9 0		1 3	3	H P 4 8 2 9 5 0		3 3	1 2
H B 2 3 0 4 0 1		1 3	1	H P 4 8 2 9 8 0		2 7	1 8
H B 2 3 0 4 1 4		1 3	1 2	H P 4 8 2 9 8 0		3 3	1 5
H B 2 3 0 4 2 0		1 3	1 1	H P 4 8 2 9 9 0		2 7	9
H B 2 3 0 4 6 0		1 5	5	H P 4 8 2 9 9 0		3 1	3
H B 2 3 0 4 7 0		1 5	4	H P 4 8 3 1 1 1		3 3	8
H B 2 3 0 5 6 0		1 5	7	H P 4 8 3 3 7 0		2 7	1
H B 2 3 0 5 8 0		1 5	1 3	H P 4 8 3 3 7 0		3 3	7
H B 2 3 0 5 9 0		1 3	2	H P 4 8 3 3 9 1		2 7	2
H B 2 3 0 6 5 0		9	3 5	H P 7 1 0 7 9 0		4 1	3
H B 2 3 0 7 5 0		9	2 2	H T 2 3 0 0 0 0		1 1	1 8
H B 2 4 0 0 2 0		1 5	1 4	H T 2 3 0 0 4 1		1 1	7
H B 2 4 0 0 3 0		1 5	1 5	H T 2 3 0 0 5 1		1 1	5
H B 2 4 0 0 4 0		1 5	9	H T 2 3 0 0 6 1		1 1	1 6
H B 2 4 0 0 5 0		1 5	1 0	H T 2 3 0 0 8 0		9	1 5
H B 2 4 0 0 7 0		1 5	1 8	H T 2 3 0 0 9 0		9	1 1
H B 2 4 0 0 8 0		1 5	2 2	H T 2 3 0 1 0 0		9	1 2
H B 2 4 0 0 9 0		1 5	2 1	H T 2 3 0 1 1 0		1 1	1 5
H B 2 4 0 1 1 0		1 5	1 7	H T 2 3 0 1 3 0		1 1	3
H B 2 4 0 3 1 0		1 5	8	H T 2 3 0 1 4 1		1 1	9
H B 2 4 0 3 3 0		1 5	1 2	H T 2 3 0 1 5 1		1 1	4
H B 2 4 0 3 4 0		1 5	1 1	H T 2 3 0 1 8 0		1 1	2 8

From the library of: Diamond Needle Corp

I N D E X

LIST	No.	PAGE No.	ITEM	LIST	No.	PAGE No.	ITEM
HT 2 3 0 1 9 0		1 1	2	KB 2 3 0 1 0 0		9	8
HT 2 3 0 2 0 1		1 3	2 1	KB 2 3 0 1 1 0		9	9
HT 2 3 0 2 5 0		1 1	8	KB 2 3 0 1 6 1		9	1
HT 2 4 0 0 0 0		9	2	KB 2 3 0 1 7 0		1 5	3
HT 2 4 0 0 1 0		9	1 8	KB 2 4 0 0 1 0		9	1 4
HT 2 4 0 0 2 0		1 7	9	KB 2 4 0 0 2 1		9	3
HT 2 4 0 0 6 0		1 7	1 0	KB 2 4 0 0 3 0		1 5	2
HT 2 4 0 1 0 0		5 1	1	KB 2 4 0 0 4 0		1 5	1 6
HT 2 4 0 1 2 0		1 7	1	KB 2 4 0 0 5 1		1 7	1 3
HT 2 4 0 1 3 0		1 7	2	KB 2 5 0 0 2 0		1 7	2 1
HT 2 4 0 1 4 0		1 7	3	KB 2 5 0 0 3 0		1 7	2 2
HT 2 4 0 1 5 0		1 7	4	KB 2 5 0 0 4 0		1 7	2 3
HT 2 4 0 1 6 0		1 7	5	KB 2 5 0 0 5 0		1 7	2 5
HT 2 4 0 1 7 0		1 7	6	KB 2 5 0 0 6 0		1 7	2 6
HT 2 4 0 1 8 0		1 7	7	KB 2 7 0 0 1 0		4 3	5
HT 2 4 0 2 1 0		1 7	1 5	KC 1 1 0 9 1 0		3	4
HT 2 4 0 2 2 0		1 7	1 6	KC 1 1 0 9 7 0		4 1	8
HT 2 4 0 2 3 0		1 7	1 7	KC 1 2 0 8 1 1		3	1 0
HT 2 4 0 2 4 0		1 7	1 8	KC 1 2 0 8 3 0		3	8
HT 2 4 0 2 5 0		5 1	2	KC 1 2 0 8 4 1		3	9
HT 2 4 0 2 7 0		5 1	3	KC 1 2 0 8 6 0		3	2
HT 2 4 0 2 8 0		5 1	4	KC 1 3 0 1 9 1 2 3 0 3 5		3	6
HT 2 4 0 2 9 0		5 1	5	KC 2 2 0 2 1 0		7	1 7
HT 2 4 0 3 0 0		5 1	6	KC 2 5 1 3 3 0		5	2 9
HT 2 4 0 3 1 0		5 1	7	KC 2 7 0 1 0 1		4 7	2 2
HT 2 4 0 3 2 0		1 7	1 4	KC 2 7 0 2 7 1		4 7	1 7
HT 2 4 0 3 3 0		1 7	1 9	KC 2 7 0 2 9 2		4 7	1 6
HT 2 4 0 3 4 0		5 1	9	KC 2 7 0 9 7 0		4 3	1 4
HT 2 7 0 0 0 0		4 7	1 4	KC 2 7 0 9 8 0		4 3	1 2
HT 2 7 0 0 1 0		4 7	2 1	KC 2 7 1 4 4 0		4 9	2
HT 2 7 0 0 2 0		4 7	1 8	KC 3 1 2 8 9 0		2 3	2 9
HT 2 7 0 0 3 0		4 7	2 0	KC 3 1 2 9 1 1		2 3	2 1
HT 2 7 0 0 6 1		4 7	2 8	KC 3 1 2 9 2 1		2 3	3 1
KB 2 1 0 1 6 0		5	1	KC 3 2 0 5 9 0		2 3	2 6
KB 2 1 0 1 7 0		1 5	1	KC 3 2 0 8 2 0		5	9
KB 2 1 0 1 8 0		7	1	KC 3 3 0 1 6 1		1 9	9
KB 2 3 0 0 1 1		5	3 0	KC 3 3 0 1 7 0		1 9	3
KB 2 3 0 0 2 1		5	3 0	KC 3 3 0 1 8 0		1 9	7
KB 2 3 0 0 3 0		5	2 7	KC 3 3 0 1 8 0		1 9	1 0
KB 2 3 0 0 4 0		5	2 7	KC 3 3 0 1 8 0		4 9	3
KB 2 3 0 0 5 0		5	2 8	KC 3 3 0 1 9 0		1 9	8
KB 2 3 0 0 6 0		1 3	8	KC 3 3 0 2 1 0		1 9	2 5
KB 2 3 0 0 7 0		1 3	7	KC 3 3 0 2 3 0		2 1	6
KB 2 3 0 0 8 0		1 3	6	KC 3 3 0 2 6 0		2 1	1 2
KB 2 3 0 0 9 0		9	5	KC 3 3 0 2 8 0		1 9	2

From the library of: Diamond Needle Corp

I N D E X

L I S T	No.	PAGE No.	ITEM	L I S T	No.	PAGE No.	ITEM
K C 3 3 0 2 9 0		2 1	3	K F 2 3 0 6 4 0		4 3	2 5
K C 3 3 0 4 1 0		1 1	2 5	K F 2 3 0 6 5 0		1 3	1 5
K C 3 3 0 4 1 0		1 3	1 8	K F 2 3 0 6 6 1		1 3	1 9
K C 3 3 0 4 1 0		4 9	2 5	K F 2 3 0 6 7 0		1 3	2 0
K C 3 3 0 5 1 0		2 1	9	K F 2 3 0 9 1 0		1 1	1 0
K C 3 3 0 6 1 0		1 9	2 1	K F 2 3 0 9 3 0		1 1	1 1
K C 3 3 0 8 5 0		2 1	1 1	K F 2 4 0 9 0 0		4 1	2
K C 3 3 0 9 1 0		2 1	1 6	K F 2 5 0 9 0 0		7	1 8
K C 4 5 0 0 2 0		2 5	1	K F 3 3 0 3 8 1		1 1	2 7
K C 4 7 0 4 6 0		3 3	2 2	K F 3 3 0 3 8 1		1 3	1 7
K C 4 8 0 1 5 2		2 5	8	K F 5 3 0 1 1 1		3 5	1 5
K C 4 8 0 1 6 0		2 5	7	K F 5 3 0 1 1 1		3 7	1 3
K C 4 8 0 3 5 0		2 5	1 1	K F 5 3 0 1 1 1		3 9	1 4
K C 5 2 0 0 2 0		3 5	1 9	K F 5 3 0 1 2 0		3 5	1 5
K C 5 2 0 0 2 0		3 7	1 7	K F 5 3 0 1 2 0		3 7	1 3
K C 5 2 0 0 2 0		3 9	1 8	K F 5 3 0 1 2 0		3 9	1 4
K C 5 3 0 2 3 0		3 5	1 6	K F 5 3 0 1 5 1		3 5	1 7
K C 5 3 0 2 3 0		3 7	1 4	K F 5 3 0 1 5 1		3 7	1 5
K C 5 3 0 2 3 0		3 9	1 5	K F 5 3 0 1 5 1		3 9	1 6
K C 5 3 0 2 4 0		3 5	1 4	K F 5 3 0 1 6 0		3 5	1 3
K C 5 3 0 2 4 0		3 7	1 2	K F 5 3 0 1 6 0		3 7	1 1
K C 5 3 0 2 4 0		3 9	1 3	K F 5 3 0 1 6 0		3 9	1 2
K F 2 2 0 1 3 0		5	1 1	K F 5 3 0 1 7 1		3 5	2 3
K F 2 2 0 2 3 0		7	1 3	K F 5 3 0 1 7 1		3 7	1 9
K F 2 2 0 2 7 1		7	4	K F 5 3 0 1 7 1		3 9	8
K F 2 2 0 2 9 0		7	8	K F 7 1 0 3 0 0		4 1	5
K F 2 2 0 3 0 2		7	1 6	K F 7 1 0 3 9 0		4 1	1 2
K F 2 2 0 4 1 0		7	1 5	K F 7 3 0 7 9 0		2 5	1 4
K F 2 2 0 4 2 1		7	1 5	K G 2 3 0 6 1 0		2 1	1
K F 2 2 0 4 4 0		7	1 6	K G 2 7 0 3 1 0		4 7	1 5
K F 2 2 0 4 6 0		5	1 9	K G 3 3 0 2 2 0		1 9	1 4
K F 2 2 0 4 7 0		7	5	K G 7 1 0 1 6 1		4 1	6
K F 2 2 0 4 8 0		7	1 0	K K 3 1 0 0 3 0		2 3	2
K F 2 2 0 5 1 1		7	1 2	K K 3 1 0 0 4 0		2 3	1 9
K F 2 2 0 7 5 0		7	1 4	K L 2 1 0 1 4 0		5	2
K F 2 3 0 2 3 0		1 1	1 2	K L 2 2 0 0 0 0		5	1 0
K F 2 3 0 2 4 0		1 1	1 3	K L 2 2 0 0 1 0		5	1 7
K F 2 3 0 2 5 0		1 1	1 4	K L 2 2 0 0 2 0		5	2 6
K F 2 3 0 3 6 0		1 9	1 7	K L 2 2 0 0 3 0		5	1 5
K F 2 3 0 4 2 0		5	2 3	K L 2 2 0 0 4 0		5	6
K F 2 3 0 5 0 0		9	1 3	K L 2 2 0 0 5 0		5	2 1
K F 2 3 0 5 8 0		4 7	1 9	K L 2 2 0 0 6 0		7	7
K F 2 3 0 6 3 0		1 3	1 4	K L 2 2 0 0 7 0		7	9
K F 2 3 0 6 3 0		2 1	2	K L 2 2 0 0 8 0		5	1 2
K F 2 3 0 6 4 0		1 3	1 6	K L 2 2 0 0 9 0		5	4

I N D E X

LIST	No.	PAGE No.	ITEM	LIST	No.	PAGE No.	ITEM
KL 2 2 0 1 0 0		5	3	KN 2 1 0 2 1 0		7	1
KL 2 2 0 1 2 0		7	1 1	KN 2 3 1 3 5 0		2 1	1 4
KL 2 2 0 1 3 0		5	1 4	KN 2 5 0 1 3 1		7	2
KL 2 2 0 1 4 0		5	2 0	KN 2 5 0 1 3 1		4 3	8
KL 2 2 0 1 4 0		7	6	KN 2 7 0 9 5 0		4 3	1 3
KL 2 2 0 1 5 0		5	8	KN 2 7 0 9 6 0		4 3	1 1
KL 2 3 0 2 8 0		1 3	1 3	KN 2 7 1 1 9 0		4 3	7
KL 2 5 0 0 4 0		5	7	KN 2 7 1 2 2 0		4 3	6
KL 2 5 0 0 5 1		7	3	KN 2 7 1 5 2 1		4 3	1
KL 2 7 0 0 0 0		4 7	1	KN 2 7 1 5 6 0		4 3	1 7
KL 2 7 0 0 1 0		4 7	6	KN 2 7 1 6 2 0		4 3	2 6
KL 2 7 0 0 2 0		4 7	5	KN 2 7 1 6 3 0		4 3	3 2
KL 2 7 0 0 3 0		4 7	7	KN 2 7 1 6 4 4		4 3	4
KL 2 7 0 0 4 0		4 7	2	KN 2 7 1 6 5 1		4 3	2 8
KL 2 7 0 0 5 0		4 7	3	KN 2 7 1 6 6 2		4 3	2 9
KL 2 7 0 0 6 0		4 7	4	KN 2 7 1 6 7 1		4 3	2 1
KL 2 7 0 0 7 0		4 7	1 0	KN 2 7 1 7 0 0		4 9	2 0
KL 2 7 0 0 8 1		4 5	2	KN 2 7 1 7 1 2		4 9	8
KL 2 7 0 0 9 1		4 5	4	KN 2 7 1 7 2 0		4 9	2 4
KL 2 7 0 1 0 1		4 5	8	KN 2 7 1 7 3 1		4 9	1 5
KL 2 7 0 1 1 0		4 5	3	KN 2 7 1 7 5 0		4 9	1 1
KL 2 7 0 1 2 0		4 5	9	KN 2 7 1 7 8 1		4 9	1 0
KL 2 7 0 1 3 0		4 5	1 6	KN 2 7 1 8 0 0		4 9	2 9
KL 2 7 0 1 4 0		4 5	7	KN 2 7 1 9 8 0		4 3	2
KL 2 7 0 1 4 0		4 7	1 2	KN 2 7 1 9 9 0		4 9	9
KL 2 7 0 1 5 0		4 5	6	KN 2 7 2 0 0 2		4 3	2 3
KL 2 7 0 1 5 0		4 7	1 1	KN 2 7 2 3 5 0		4 9	1 2
KL 2 7 0 2 6 0		4 5	1 0	KN 2 7 2 5 4 0		4 3	1 6
KL 2 7 0 4 0 0		4 5	1 3	KN 3 1 0 0 0 0		2 3	1 1
KL 2 7 0 4 1 0		4 5	1 7	KN 3 1 0 0 1 0		2 3	1 5
KL 2 7 0 4 2 0		4 5	1 5	KN 3 1 0 0 5 0		2 3	8
KL 2 7 0 4 3 0		4 5	1 2	KN 3 1 2 8 1 0		2 3	1 7
KL 2 7 0 4 4 0		4 5	1 4	KN 3 1 2 8 2 0		2 3	2 4
KL 2 7 0 4 5 0		4 5	5	KN 3 1 2 9 4 0		2 3	5
KL 2 7 0 5 2 0		4 7	9	KN 3 1 3 6 7 0		2 3	1 0
KL 3 1 0 0 7 1		2 3	3 4	KN 3 1 5 1 1 0		2 3	1 3
KL 3 1 0 0 8 1		2 3	3 8	KN 3 1 5 1 3 0		2 3	7
KL 3 1 0 1 0 0		2 3	3 3	KN 3 3 0 1 1 0		3 1	1
KL 3 2 0 0 0 0		5	2 4	KN 3 3 0 1 3 0		2 1	1 5
KL 3 2 0 0 2 0		5	2 2	KN 3 3 0 2 4 0		2 1	1 0
KL 3 3 0 0 1 0		2 1	1 8	KN 3 3 0 2 5 0		2 1	4
KL 3 3 0 0 2 0		2 1	1 7	KN 3 3 2 0 1 0		2 1	1 3
KL 3 3 0 0 4 0		1 9	1 8	KN 4 5 0 3 0 0		2 9	8
KL 3 3 0 0 5 0		1 9	1 6	KN 4 5 0 3 0 0		3 3	2 0
KN 1 4 0 9 5 0		3	7	KN 4 5 0 3 1 1		3 3	5

I N D E X

LIST	No.	PAGE No.	ITEM	LIST	No.	PAGE No.	ITEM
KN 4 7 0 1 5 1		2 9	4				
KN 4 7 0 1 6 1		3 1	1 1				
KN 4 8 0 0 6 1		2 7	1 4				
KN 4 8 0 0 6 1		3 3	1 1				
KN 4 8 0 1 2 0		2 5	1 0				
KN 4 8 0 4 0 0		2 5	2				
KN 4 8 2 0 0 0		2 7	1 5				
KN 4 8 2 0 0 0		3 3	1 9				
KN 4 8 2 0 1 0		2 7	1 1				
KN 4 8 2 6 2 0		3 3	2 2				
KN 4 8 2 8 7 1		2 7	4				
KN 4 8 2 8 8 0		2 7	6				
KN 4 8 2 8 9 0		3 3	4				
KN 4 8 3 4 0 0		2 7	2 0				
KN 4 8 3 4 1 0		3 3	1				
KN 4 8 3 4 2 0		3 3	1				
KN 4 8 3 4 3 0		3 3	1				
KN 4 8 3 4 4 2		2 7	3				
KN 4 8 3 4 5 0		2 7	1 3				
KN 4 8 3 4 5 0		3 3	2				
KN 4 8 3 4 6 0		2 7	3				
KN 4 9 0 1 2 1		3 1	8				
KN 4 9 0 1 3 0		3 1	7				
KN 4 9 0 1 4 0		3 1	5				
KN 4 9 0 1 5 0		3 1	4				
KN 5 1 1 0 2 0		2 3	2 8				
KN 5 4 0 5 1 0		5 1	8				
KT 2 3 0 0 0 0		9	1 9				
KT 2 3 0 0 1 0		9	1 7				
KT 2 3 0 0 3 0		9	1 0				
KT 2 3 0 0 4 0		9	1 6				
KT 2 3 0 0 5 0		9	3 6				
KT 3 3 0 0 0 0		1 9	1 2				
KU 4 6 0 2 7 0		2 9	1 0				
KU 4 6 0 2 7 0		3 3	1 0				
KU 4 6 0 3 4 2		2 9	1				
MT 4 6 0 2 4 0		2 9	6				
MT 4 6 0 2 4 0		3 3	9				
MT 7 1 0 0 0 0		4 1	9				
WW 3 1 0 2 1 0		2 3	2 3				